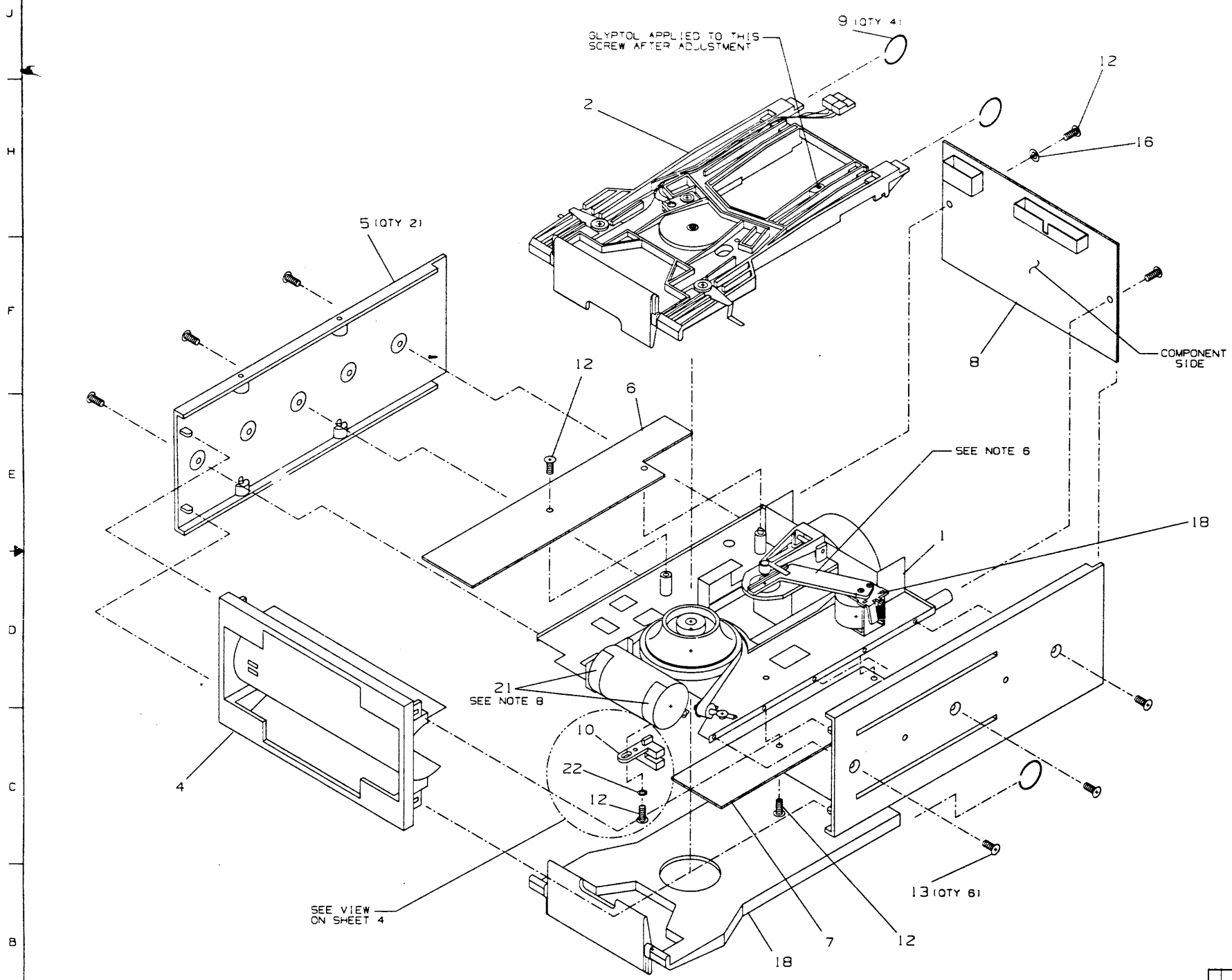


THIS DRAWING AND SPECIFICATIONS HEREIN ARE THE PROPERTY OF DIGITAL EQUIPMENT CORPORATION AND SHALL NOT BE REPRODUCED OR COPIED OR USED IN WHOLE OR IN PART AS THE BASIS FOR THE MANUFACTURE OR SALE OF ITEMS WITHOUT WRITTEN PERMISSION. DIGITAL EQUIPMENT CORPORATION © 1982

LEGEND		
PART NO.	REV.	VARIATION
RX50-AA	A1	AS SHOWN

- NOTES:
1. WHEN INSTALLING CONE LIFT RETURN SPRINGS (ITEM 9) OPEN PORTION OF SPRING SHOULD FACE REAR OF UNIT WITH FORWARD PORTION BEING RETAINED BY SLOT IN CONE LIFT COVER.
 2. WHEN DRESSING BEZEL L.E.D. CABLE IT MUST BE UNDER DC MOTOR CABLE.
 3. AFTER INSTALLING READ/WRITE BOARD (ITEM 7) AND SPINDLE MOTOR SPEED CONTROL BOARD (ITEM 6) BE SURE THE DRIVE BELT CLEARS ALL OBSTRUCTIONS.
 4. BEFORE INSTALLING SIDE PLATES (ITEM 5) HEAD CABLES MUST BE IN POSITION OF STRAIN RELIEF FEATURE IN BASEPLATE (ITEM 1) SO SIDE PLATE WILL PROPERLY RESTRAIN IT AFTER INSTALLATION.
 5. AFTER INSTALLING SIDE PLATES (ITEM 5) SQUEEZE PLATES TOGETHER JUST BEHIND BEZEL (ITEM 4) SO AS TO FULLY SEAT THEM IN BEZEL.
 6. LIFTER ARM MUST BE POSITIONED UNDER HEAD LOAD ARM BEFORE TIGHTENING SOLENOID DOWN.
 7. AFTER ASSY BE SURE ALL WIRES AND OTHER ABSTRUCTIONS ARE CLEARED FROM THE AREA IN WHICH THE DISKETT RESIDES.
 8. BEFORE INSTALLING BEZEL, CUT TAPE TO $2.5 \pm .2$ LENGTH AND INSTALL ON BOTH ENDS TO COVER FRONT HALF OF MOTOR.



CAUTION: OFF-SHEET PARTS LIST EXISTS
SEE K-PL-RX50-0-DBP

DESCRIPTION	DRAWING NO.	PART NO.
UNLESS OTHERWISE SPECIFIED DIMENSIONS ARE IN INCHES AND THE FOLLOWING TOLERANCES APPLY (PER DEC STD 114)		
DIMENSION RANGE IN INCHES		
0.000 - 0.250	0.250 - 0.499	0.500 - 1.999
±0.005	±0.005	±0.005
0.250 - 0.499	0.500 - 1.999	2.000 - 9.999
±0.005	±0.005	±0.005
10.000 - 49.999	50.000 - 99.999	100.000 - 499.999
±0.005	±0.005	±0.005
500.000 - 999.999	1000.000 - 4999.999	5000.000 - 9999.999
±0.005	±0.005	±0.005
10000.000 - 49999.999	50000.000 - 99999.999	100000.000 - 499999.999
±0.005	±0.005	±0.005
500000.000 - 999999.999	1000000.000 - 4999999.999	5000000.000 - 9999999.999
±0.005	±0.005	±0.005

REV.	DATE	BY	CHKD.	DESCRIPTION
1	30 MAR 82	A. PINKARD		INITIAL PROJECTION
2	30 MAR 82	M. CARSON		DO NOT SCALE DRAWING
3	30 MAR 82	D. BARREN		REMOVE BURRS AND BREAK SHARP CORNERS
4	30 MAR 82	M. CARMAN		SEE PARTS LIST
5	30 MAR 82	P. BARTON		
6	30 MAR 82			
7	30 MAR 82			
8	30 MAR 82			

REV.	DATE	BY	CHKD.	DESCRIPTION
1	30 MAR 82	A. PINKARD		INITIAL PROJECTION
2	30 MAR 82	M. CARSON		DO NOT SCALE DRAWING
3	30 MAR 82	D. BARREN		REMOVE BURRS AND BREAK SHARP CORNERS
4	30 MAR 82	M. CARMAN		SEE PARTS LIST
5	30 MAR 82	P. BARTON		
6	30 MAR 82			
7	30 MAR 82			
8	30 MAR 82			

REV.	DATE	BY	CHKD.	DESCRIPTION
1	30 MAR 82	A. PINKARD		INITIAL PROJECTION
2	30 MAR 82	M. CARSON		DO NOT SCALE DRAWING
3	30 MAR 82	D. BARREN		REMOVE BURRS AND BREAK SHARP CORNERS
4	30 MAR 82	M. CARMAN		SEE PARTS LIST
5	30 MAR 82	P. BARTON		
6	30 MAR 82			
7	30 MAR 82			
8	30 MAR 82			

REV.	DATE	BY	CHKD.	DESCRIPTION
1	30 MAR 82	A. PINKARD		INITIAL PROJECTION
2	30 MAR 82	M. CARSON		DO NOT SCALE DRAWING
3	30 MAR 82	D. BARREN		REMOVE BURRS AND BREAK SHARP CORNERS
4	30 MAR 82	M. CARMAN		SEE PARTS LIST
5	30 MAR 82	P. BARTON		
6	30 MAR 82			
7	30 MAR 82			
8	30 MAR 82			

REV.	DATE	BY	CHKD.	DESCRIPTION
1	30 MAR 82	A. PINKARD		INITIAL PROJECTION
2	30 MAR 82	M. CARSON		DO NOT SCALE DRAWING
3	30 MAR 82	D. BARREN		REMOVE BURRS AND BREAK SHARP CORNERS
4	30 MAR 82	M. CARMAN		SEE PARTS LIST
5	30 MAR 82	P. BARTON		
6	30 MAR 82			
7	30 MAR 82			
8	30 MAR 82			

REV.	DATE	BY	CHKD.	DESCRIPTION
1	30 MAR 82	A. PINKARD		INITIAL PROJECTION
2	30 MAR 82	M. CARSON		DO NOT SCALE DRAWING
3	30 MAR 82	D. BARREN		REMOVE BURRS AND BREAK SHARP CORNERS
4	30 MAR 82	M. CARMAN		SEE PARTS LIST
5	30 MAR 82	P. BARTON		
6	30 MAR 82			
7	30 MAR 82			
8	30 MAR 82			

REV.	DATE	BY	CHKD.	DESCRIPTION
1	30 MAR 82	A. PINKARD		INITIAL PROJECTION
2	30 MAR 82	M. CARSON		DO NOT SCALE DRAWING
3	30 MAR 82	D. BARREN		REMOVE BURRS AND BREAK SHARP CORNERS
4	30 MAR 82	M. CARMAN		SEE PARTS LIST
5	30 MAR 82	P. BARTON		
6	30 MAR 82			
7	30 MAR 82			
8	30 MAR 82			

REV.	DATE	BY	CHKD.	DESCRIPTION
1	30 MAR 82	A. PINKARD		INITIAL PROJECTION
2	30 MAR 82	M. CARSON		DO NOT SCALE DRAWING
3	30 MAR 82	D. BARREN		REMOVE BURRS AND BREAK SHARP CORNERS
4	30 MAR 82	M. CARMAN		SEE PARTS LIST
5	30 MAR 82	P. BARTON		
6	30 MAR 82			
7	30 MAR 82			
8	30 MAR 82			

REV.	DATE	BY	CHKD.	DESCRIPTION
1	30 MAR 82	A. PINKARD		INITIAL PROJECTION
2	30 MAR 82	M. CARSON		DO NOT SCALE DRAWING
3	30 MAR 82	D. BARREN		REMOVE BURRS AND BREAK SHARP CORNERS
4	30 MAR 82	M. CARMAN		SEE PARTS LIST
5	30 MAR 82	P. BARTON		
6	30 MAR 82			
7	30 MAR 82			
8	30 MAR 82			

REV.	DATE	BY	CHKD.	DESCRIPTION
1	30 MAR 82	A. PINKARD		INITIAL PROJECTION
2	30 MAR 82	M. CARSON		DO NOT SCALE DRAWING
3	30 MAR 82	D. BARREN		REMOVE BURRS AND BREAK SHARP CORNERS
4	30 MAR 82	M. CARMAN		SEE PARTS LIST
5	30 MAR 82	P. BARTON		
6	30 MAR 82			
7	30 MAR 82			
8	30 MAR 82			

REV.	DATE	BY	CHKD.	DESCRIPTION
1	30 MAR 82	A. PINKARD		INITIAL PROJECTION
2	30 MAR 82	M. CARSON		DO NOT SCALE DRAWING
3	30 MAR 82	D. BARREN		REMOVE BURRS AND BREAK SHARP CORNERS
4	30 MAR 82	M. CARMAN		SEE PARTS LIST
5	30 MAR 82	P. BARTON		
6	30 MAR 82			
7	30 MAR 82			
8	30 MAR 82			

REV.	DATE	BY	CHKD.	DESCRIPTION
1	30 MAR 82	A. PINKARD		INITIAL PROJECTION
2	30 MAR 82	M. CARSON		DO NOT SCALE DRAWING
3	30 MAR 82	D. BARREN		REMOVE BURRS AND BREAK SHARP CORNERS
4	30 MAR 82	M. CARMAN		SEE PARTS LIST
5	30 MAR 82	P. BARTON		
6	30 MAR 82			
7	30 MAR 82			
8	30 MAR 82			

REV.	DATE	BY	CHKD.	DESCRIPTION
1	30 MAR 82	A. PINKARD		INITIAL PROJECTION
2	30 MAR 82	M. CARSON		DO NOT SCALE DRAWING
3	30 MAR 82	D. BARREN		REMOVE BURRS AND BREAK SHARP CORNERS
4	30 MAR 82	M. CARMAN		SEE PARTS LIST
5	30 MAR 82	P. BARTON		
6	30 MAR 82			
7	30 MAR 82			
8	30 MAR 82			

REV.	DATE	BY	CHKD.	DESCRIPTION
1	30 MAR 82	A. PINKARD		INITIAL PROJECTION
2	30 MAR 82	M. CARSON		DO NOT SCALE DRAWING
3	30 MAR 82	D. BARREN		REMOVE BURRS AND BREAK SHARP CORNERS
4	30 MAR 82	M. CARMAN		SEE PARTS LIST
5	30 MAR 82	P. BARTON		
6	30 MAR 82			
7	30 MAR 82			
8	30 MAR 82			

REV.	DATE	BY	CHKD.	DESCRIPTION
1	30 MAR 82	A. PINKARD		INITIAL PROJECTION
2	30 MAR 82	M. CARSON		DO NOT SCALE DRAWING
3	30 MAR 82	D. BARREN		REMOVE BURRS AND BREAK SHARP CORNERS
4	30 MAR 82	M. CARMAN		SEE PARTS LIST
5	30 MAR 82	P. BARTON		
6	30 MAR 82			
7	30 MAR 82			
8	30 MAR 82			

REV.	DATE	BY	CHKD.	DESCRIPTION
1	30 MAR 82	A. PINKARD		INITIAL PROJECTION
2	30 MAR 82	M. CARSON		DO NOT SCALE DRAWING
3	30 MAR 82	D. BARREN		REMOVE BURRS AND BREAK SHARP CORNERS
4	30 MAR 82	M. CARMAN		SEE PARTS LIST
5	30 MAR 82	P. BARTON		
6	30 MAR 82			
7	30 MAR 82			
8	30 MAR 82			

REV.	DATE	BY	CHKD.	DESCRIPTION
1	30 MAR 82	A. PINKARD		INITIAL PROJECTION
2	30 MAR 82	M. CARSON		DO NOT SCALE DRAWING
3	30 MAR 82	D. BARREN		REMOVE BURRS AND BREAK SHARP CORNERS
4	30 MAR 82	M. CARMAN		SEE PARTS LIST
5	30 MAR 82	P. BARTON		
6	30 MAR 82			
7	30 MAR 82			
8	30 MAR 82			

REV.	DATE	BY	CHKD.	DESCRIPTION
1	30 MAR 82	A. PINKARD		INITIAL PROJECTION
2	30 MAR 82	M. CARSON		DO NOT SCALE DRAWING
3	30 MAR 82	D. BARREN		REMOVE BURRS AND BREAK SHARP CORNERS
4	30 MAR 82	M. CARMAN		SEE PARTS LIST
5	30 MAR 82	P. BARTON		
6	30 MAR 82			
7	30 MAR 82			
8	30 MAR 82			

REV.	DATE	BY	CHKD.	DESCRIPTION
1	30 MAR 82	A. PINKARD		INITIAL PROJECTION
2	30 MAR 82	M. CARSON		DO NOT SCALE DRAWING
3	30 MAR 82	D. BARREN		REMOVE BURRS AND BREAK SHARP CORNERS
4	30 MAR 82	M. CARMAN		SEE PARTS LIST
5	30 MAR 82	P. BARTON		
6	30 MAR 82			
7	30 MAR 82			
8	30 MAR 82			

REV.	DATE	BY	CHKD.	DESCRIPTION
1	30 MAR 82	A. PINKARD		INITIAL PROJECTION
2	30 MAR 82	M. CARSON		DO NOT SCALE DRAWING
3	30 MAR 82	D. BARREN		REMOVE BURRS AND BREAK SHARP CORNERS
4	30 MAR 82	M. CARMAN		SEE PARTS LIST
5	30 MAR 82	P. BARTON		
6	30 MAR 82			
7	30 MAR 82			
8	30 MAR 82			

REV.	DATE	BY	CHKD.	DESCRIPTION
1	30 MAR 82	A. PINKARD		INITIAL PROJECTION
2	30 MAR 82	M. CARSON		DO NOT SCALE DRAWING
3	30 MAR 82	D. BARREN		REMOVE BURRS AND BREAK SHARP CORNERS
4	30 MAR 82	M. CARMAN		SEE PARTS LIST
5	30 MAR 82	P. BARTON		
6	30 MAR 82			
7	30 MAR 82			
8	30 MAR 82			

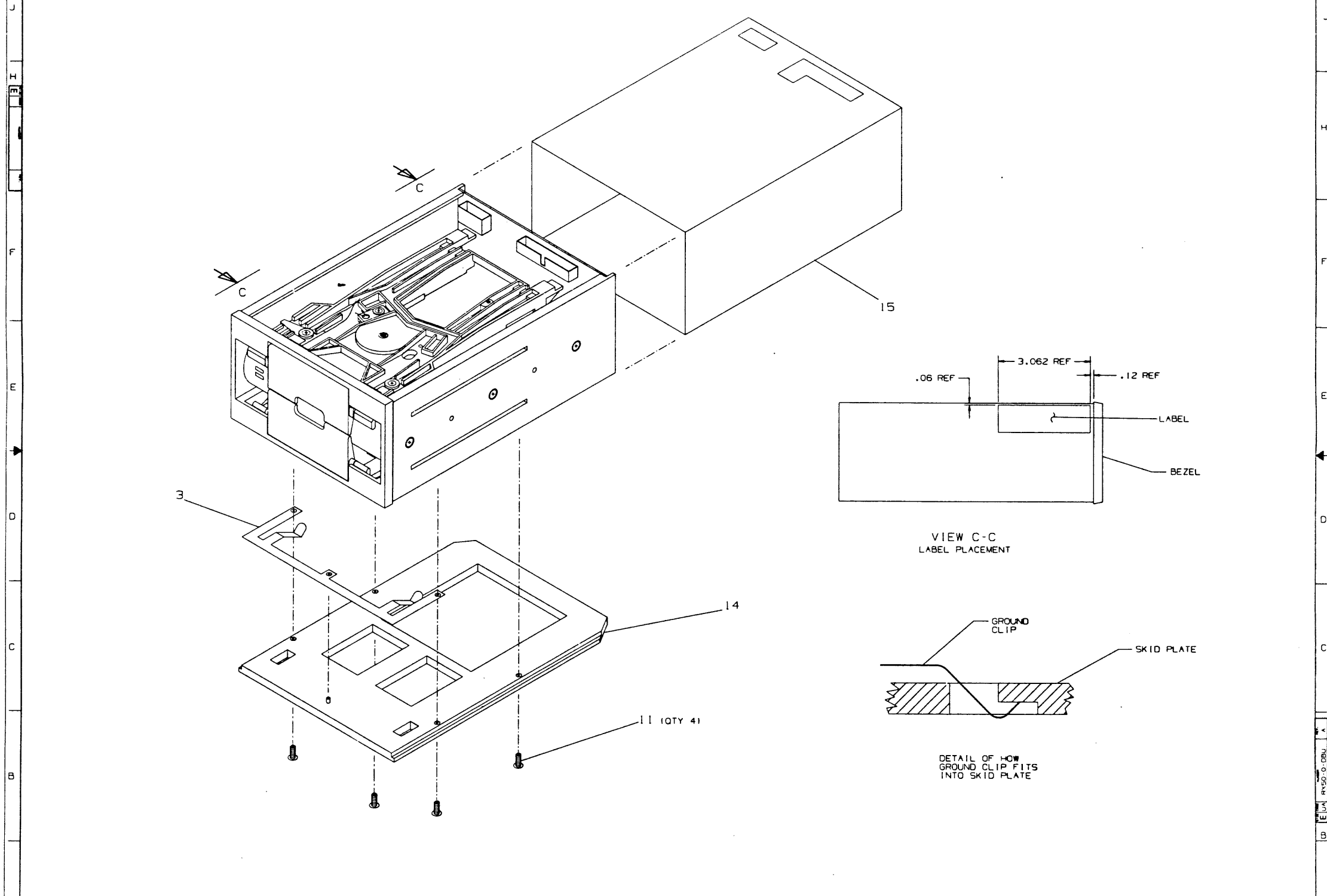
REV.	DATE	BY	CHKD.	DESCRIPTION
1	30 MAR 82	A. PINKARD		INITIAL PROJECTION
2	30 MAR 82	M. CARSON		DO NOT SCALE DRAWING
3	30 MAR 82	D. BARREN		REMOVE BURRS AND BREAK SHARP CORNERS
4	30 MAR 82	M. CARMAN		SEE PARTS LIST
5	30 MAR 82	P. BARTON		
6	30 MAR 82			
7	30 MAR 82			
8	30 MAR 82			

REV.	DATE	BY	CHKD.	DESCRIPTION
1	30 MAR 82	A. PINKARD		INITIAL PROJECTION
2	30 MAR 82	M. CARSON		DO NOT SCALE DRAWING
3	30 MAR 82	D. BARREN		REMOVE BURRS AND BREAK SHARP CORNERS
4	30 MAR 82	M. CARMAN		SEE PARTS LIST
5	30 MAR 82	P. BARTON		
6	30 MAR 82			
7	30 MAR 82			
8	30 MAR 82			

REV.	DATE	BY	CHKD.	DESCRIPTION
1	30 MAR 82	A. PINKARD		INITIAL PROJECTION
2	30 MAR 82	M. CARSON		DO NOT SCALE DRAWING
3	30 MAR 82	D. BARREN		REMOVE BURRS AND BREAK SHARP CORNERS
4	30 MAR 82	M. CARMAN		SEE PARTS LIST
5	30 MAR 82	P. BARTON		

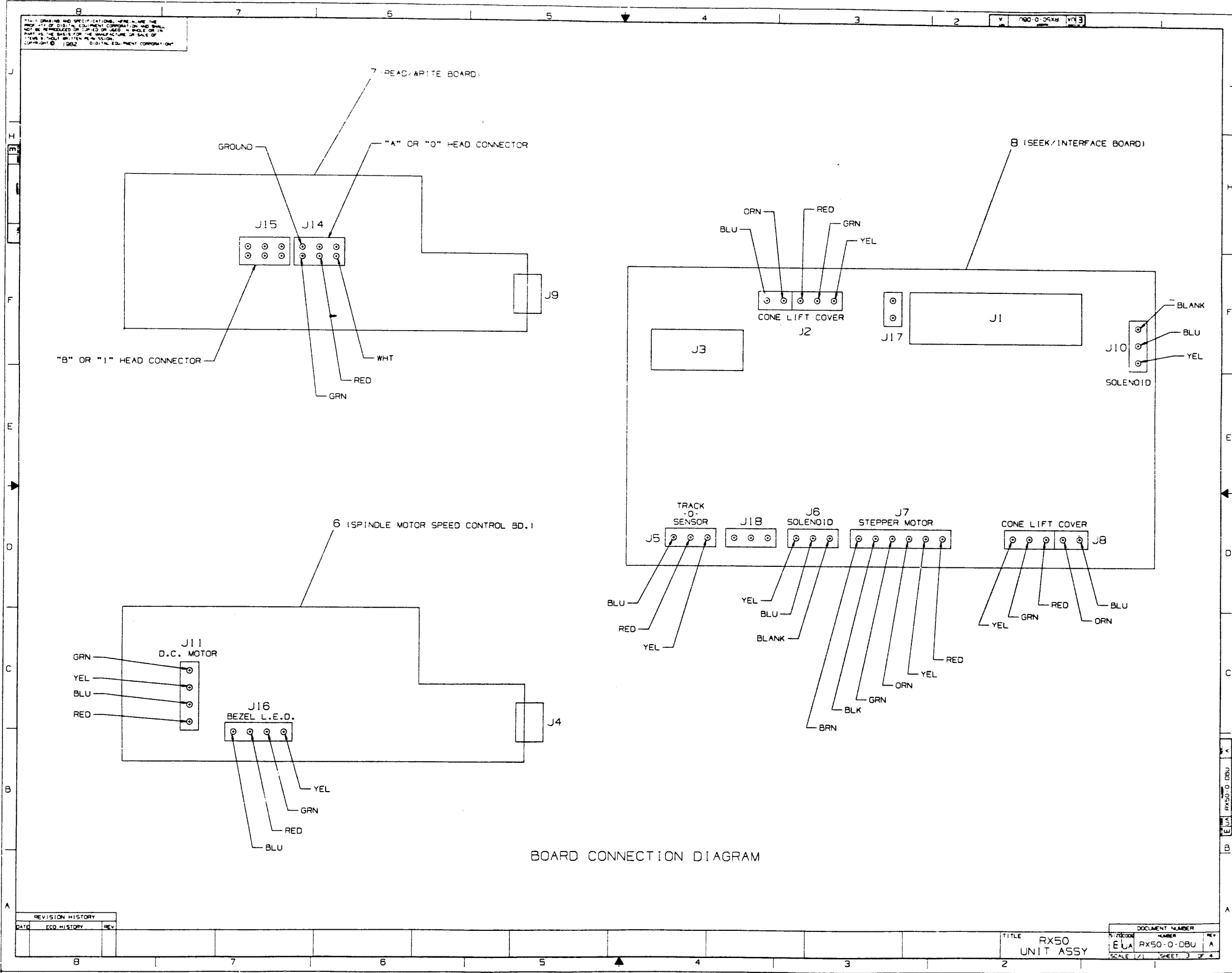
THIS DRAWING AND SPECIFICATIONS HEREIN ARE THE PROPERTY OF DIGITAL EQUIPMENT CORPORATION AND SHALL NOT BE REPRODUCED OR COPIED OR USED IN WHOLE OR IN PART AS THE BASIS FOR THE MANUFACTURE OR SALE OF ITEMS WITHOUT WRITTEN PERMISSION.
 COPYRIGHT © 1982 DIGITAL EQUIPMENT CORPORATION

100 0 0548 1/1



REVISION HISTORY		
DATE	ECO HISTORY	REV

TITLE	RX50 UNIT ASSY	DOCUMENT NUMBER	100 0 0548 1/1
SCALE	1/1	SHEET	2 OF 4

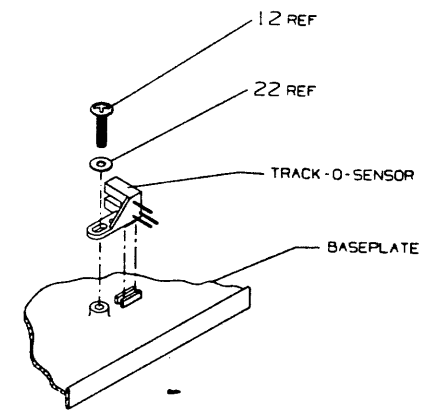


BOARD CONNECTION DIAGRAM

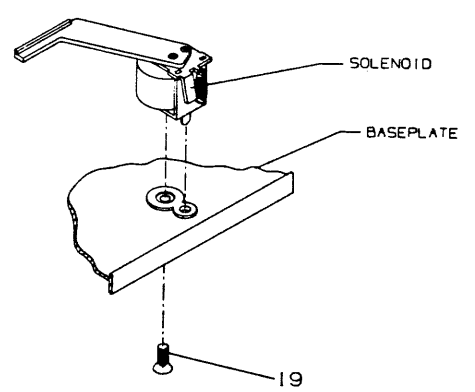
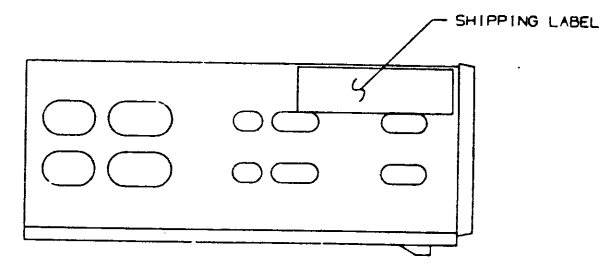
REVISION HISTORY		
DATE	ECO HISTORY	REV

THIS DRAWING AND SPECIFICATIONS HEREIN ARE THE PROPERTY OF DIGITAL EQUIPMENT CORPORATION AND SHALL NOT BE REPRODUCED OR COPIED OR USED IN WHOLE OR IN PART AS THE BASIS FOR THE MANUFACTURE OR SALE OF THIS OR ANY OTHER EQUIPMENT WITHOUT WRITTEN PERMISSION. COPYRIGHT © 1982 DIGITAL EQUIPMENT CORPORATION

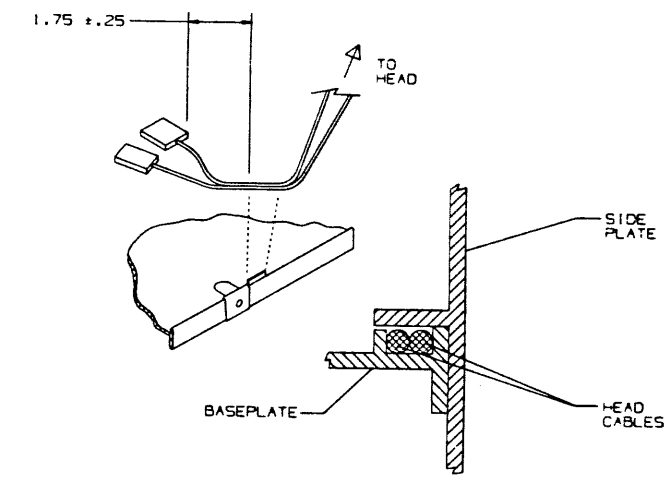
100-0-0588 10/83



MOUNTING POSITION FOR TRACK-O-SENSOR



MOUNTING POSITION FOR SOLENOID



HEAD CABLE STRAIN RELIEF

REVISION HISTORY		
DATE	ECO HISTORY	REV

TITLE: RX50 UNIT ASSY
 DOCUMENT NUMBER: E101 RX50-0-DBU A
 SCALE: 1/1 SHEET 4 OF 4

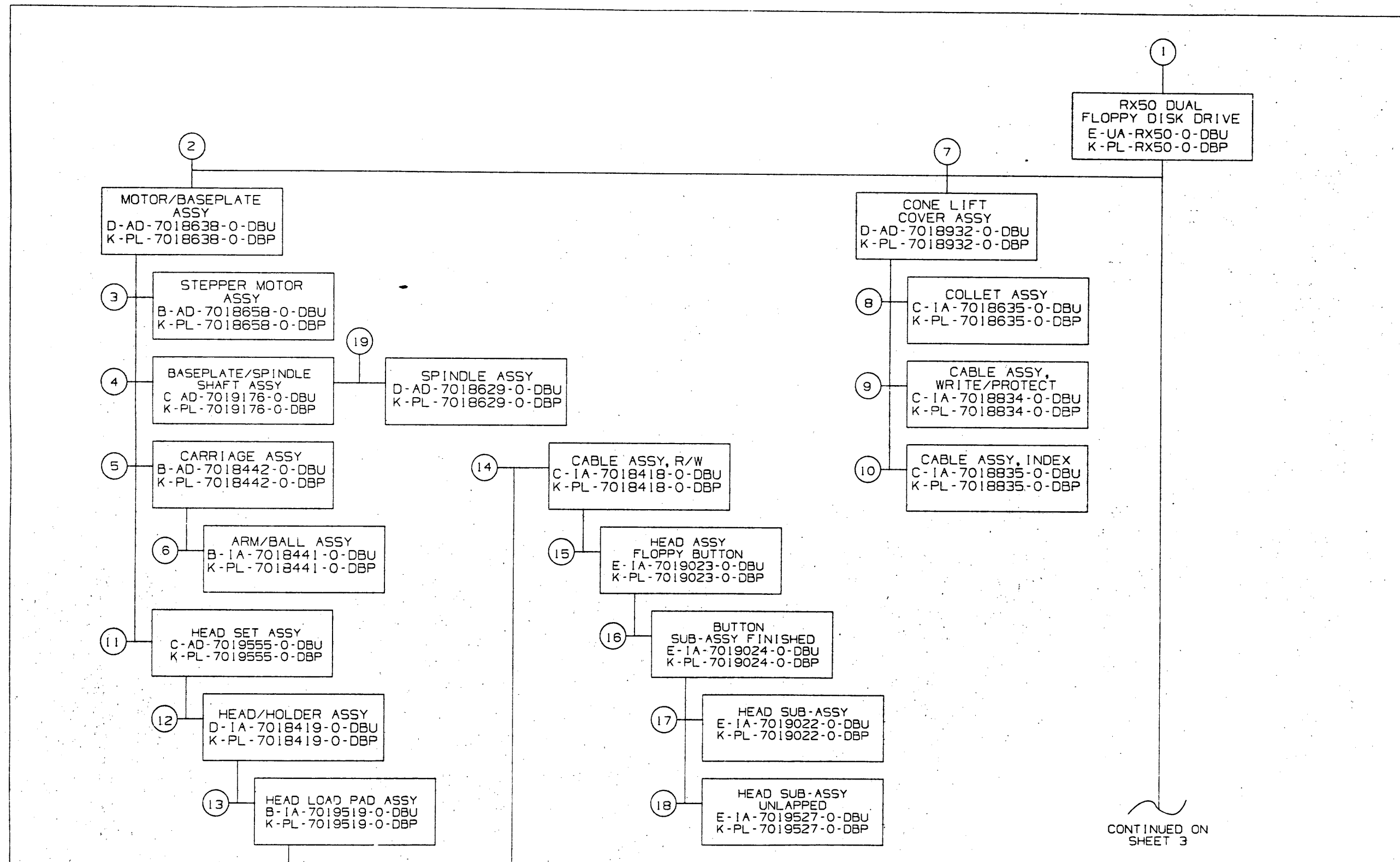
AUTOMATED BY PRTLST.4Q(50)

PARTS LIST

SHEET A1 OF A1

LINE	ITEM	DOCUMENT NUMBER	PART NUMBER	DESCRIPTION	QUANTITY PER VARIATION
1	1		EKDM250-IN	DECMATE II RX50 DRIVE OPTION INS	1
2	2		ORX50-AA	DUAL 5.25" SINGLE SIDED FLOPPY D	1
3	3		1700317-04	CABLE ASSY 34COND SHIELDED 14.5	1
4	4		3700694-01	PKG DISK DRIVE RX50	1
5	5		4700042-00	*** THIS ITEM IS NOT USED ***	-
6	6		3620222-01	LABEL, CONFIGURATION	1
7	7		4700043-00	SCREWDRIVER, PHILLIPS #1	1

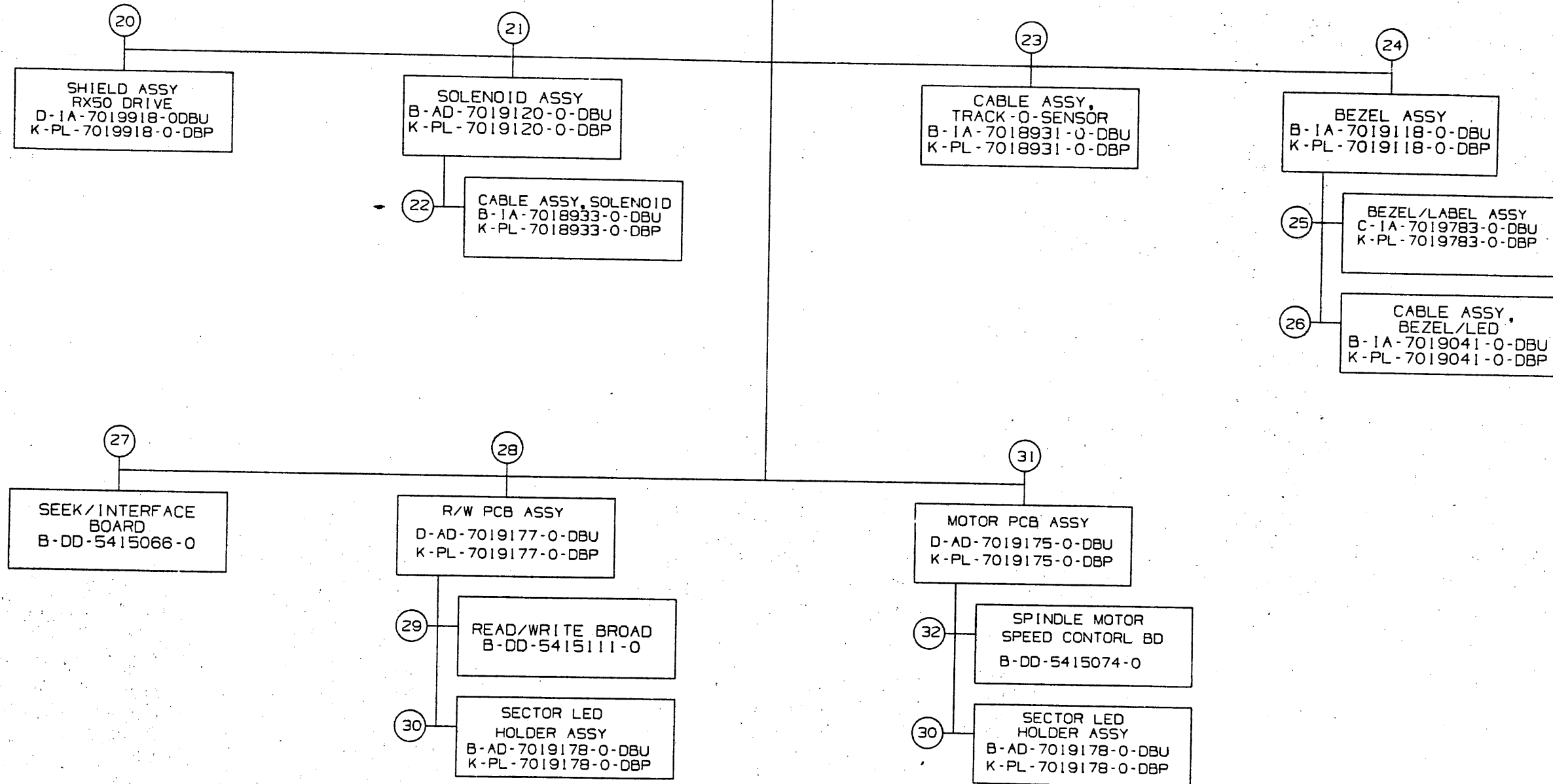
REVISION HISTORY			BASIC PART NO: ORX50	DRN: D. HEALY	DATE: 29-NOV-82	D I G I T A L			
ENG	ECO NUMBER	REV	SECTION A OF A	CHK'D: D. HEALY	DATE: 01-DEC-82	TITLE PARTS LIST			
FC	INITIAL RX50-X-ML001	A B	SECTION VARIATION INDEX [A] XA	DES.ENG.: F. CHALOUX	DATE: 01-DEC-82	RX50 UPGRADE DRIVE KIT			
			[B]	RESP.ENG.: F. CHALOUX	DATE: 01-DEC-82	DOCUMENT NUMBER			
			[C]	MFG.ENG.: E. TOMKINS	DATE: 01-DEC-82	SIZE	CODE	NUMBER	REV
			[D]	ASSEMBLY NUMBER:	TOP DOCUMENT NUMBER:	K	PL	RX50-X-DBP	B
			[E]	K-PL-RX50-X-DBP	B-PL-RX50-X-1	FILE NAME:		EDIT #	
			[F]			Z5979B.PLS		5	
<p>"THIS DRAWING AND SPECIFICATIONS HEREIN, ARE THE PROPERTY OF DIGITAL EQUIPMENT CORPORATION AND SHALL NOT BE REPRODUCED OR COPIED OR USED IN WHOLE OR IN PART AS THE BASIS FOR THE MANUFACTURE OR SALE OF ITEMS WITHOUT WRITTEN PERMISSION. COPYRIGHT (C) 1983. DIGITAL EQUIPMENT CORPORATION "</p>									



CONTINUED ON SHEET 3

TITLE: RX50 DUAL FLOPPY DISK DRIVE	SHEET 2 OF 6	SIZE CODE B DD	NUMBER RX50-0	REV. A
---------------------------------------	--------------	--------------------------	------------------	-----------

CONTINUED FROM
SHEET 2



TITLE: RX50 DUAL FLOPPY DISK DRIVE	SHEET 3 OF 6	SIZE CODE BDD	NUMBER RX50-0	REV. A
---------------------------------------	--------------	------------------	------------------	-----------

FIND NO.	DRAWING NO.	DESCRIPTION	TYPE	FIND NO.	DRAWING NO.	DESCRIPTION	TYPE
					C-MD-7426342-0-DBU	SHIELD, RX50 INNER	M
					B-MD-7426343-0-DBU	PIN, TERMINATION	M
					C-MD-7426997-0-DBU	BAR, ERASE BUTT (FLOPPY HEAD)	M
10	C-1A-7018935-0-DBU	CABLE ASSY, INDEX	E				
	K-PL-7018935-0-DBP	CABLE ASSY, INDEX (PL)	E				
	B-MD-7425235-0-DBU	HOLDER, SECTOR SENSOR	M				
11	C-AD-7019555-0-DBU	HEAD SET ASSY, RX50	M	16	E-1A-7019024-0-DBU	BUTTON SUB-ASSY FINISHED	M
	K-PL-7019555-0-DBP	HEAD SET ASSY, RX50 (PL)	M		K-PL-7019024-0-DBP	BUTTON SUB-ASSY FINISHED (PL)	M
	C-MC-7426707-0-CBU	STRAIN RELIEF	M		E-MD-7426349-0-DBU	BUTTON, PLASTIC FLOPPY	M
	1220021-0-0	RAT TAIL	M				
12	D-1A-7018419-0-DBU	HEAD/HOLDER ASSY	E/M	17	E-1A-7019022-0-DBU	HEAD SUB-ASSY	M
	K-PL-7018419-0-DBP	HEAD/HOLDER ASSY (PL)	E/M		K-PL-7019022-0-DBP	HEAD SUB-ASSY (PL)	M
	D-MD-7425219-0-DBU	HOLDER, HEAD	M		E-MD-7426347-0-DBU	CORE ASSY R/W	M
	D-MD-7425220-0-DBU	ARM HEAD LOAD	M		E-MD-7426348-0-DBU	CORE ASSY ERASE	M
	B-MD-7425222-0-DBU	SHAFT, LOAD ARM	M		C-MD-7426346-0-DBU	SLIDER	M
	D-MD-7425381-0-DBU	SPRING, TORSTON	M				
	C-MD-7426979-0-DBU	SHIELD, HEAD, RX50	M	18	E-1A-7019527-0-DBU	HEAD SUB-ASSY UNLAPPED	M
					K-PL-7019527-0-DBP	HEAD SUB-ASSY UNLAPPED (PL)	M
					E-MD-7426347-0-DBU	CORE ASSY R/W	M
					E-MD-7426348-0-DBU	CORE ASSY ERASE	M
					C-MD-7426346-0-DBU	SLIDER	M
13	B-1A-7019519-0-DBU	HEAD LOAD PAD ASSY	M				
	K-PL-7019519-0-DBP	HEAD LOAD PAD ASSY (PL)	M				
	B-MD-7425245-0-DBU	PAD, HEAD LOAD	M				
	B-MD-7425221-0-DBU	HOLDER, HEAD LOAD PAD	M	19	D-AD-7018629-0-DBU	SPINDLE ASSY	M
					K-PL-7018629-0-DBP	SPINDLE ASSY (PL)	M
					E-MD-7425215-0-DBU	SPINDLE	M
					B-MD-7425249-0-DBU	SPACER, SPINDLE	M
14	C-1A-7018418-0-DBU	CABLE ASSY, R/W	E				
	K-PL-7018418-0-DBP	CABLE ASSY, R/W (PL)	E				
15	E-1A-7019023-0-DBU	HEAD ASSY FLOPPY BUTTON	E/M	20	E-1A-7019918-0-DBU	SHIELD ASSY RX50 DRIVE	M
	K-PL-7019023-0-DBP	HEAD ASSY FLOPPY BUTTON (PL)	E/M		K-PL-7019918-0-DBP	SHIELD ASSY RX50 DRIVE (PL)	M
	C-MD-7426344-0-DBU	SPRING BUTT BAR	M		E-MD-7427207-0-DBU	SHIELD, RX50 DRIVE	M
	C-MD-7426345-0-DBU	BAR R/W BUTT (FLOPPY HEAD)	M		D-MD-7427562-0-DBU	SHIELD, SOLENOID RX50	M

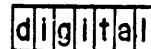
TYPE: E ELECTRICAL
M MECHANICAL
E/M ELECTRO/MECHANICAL



TITLE: RX50 DUAL FLOPPY DISK DRIVE SHEET 50F 6
SIZE CODE BDD NUMBER RX50-0 REV. A

FIND NO.	DRAWING NO.	DESCRIPTION	TYPE	FIND NO.	DRAWING NO.	DESCRIPTION	TYPE
21	B-AD-7019120-0-DBU	SOLENOID ASSY	E/M				
	K-PL-7019120-0-DBP	SOLENOID ASSY (PL)	E/M	29	B-DD-5415111-0	READ/WRITE BOARD	E/M
	C-MD-7425227-0-DBU	ARM, LIFTER	E/M				
22	B-1A-7018933-0-DBU	CABLE ASSY SOLENOID	E	30	B-AD-7019178-0-DBU	SECTOR LED HOLDER ASSY	E/M
	K-PL-7018933-0-DBP	CABLE ASSY SOLENOID (PL)	E		K-PL-7019178-0-DBP	SECTOR LED HOLDER ASSY (PL)	E/M
					D-MD-7425831-0-DBU	HOLDER, L.E.D.	M
23	B-1A-7018931-0-DBU	CABLE ASSY, TRACK-O-SENSOR	E	31	D-AD-7019175-0-DBU	MOTOR PCB ASSY	E/M
	K-PL-7018931-0-DBP	CABLE ASSY, TRACK-O-SENSOR (PL)	E		K-PL-7019175-0-DBU	MOTOR PCB ASSY (PL)	E/M
24	B-1A-7019118-0-DBU	BEZEL ASSY	M	32	B-DD-5415074-0	SPINDLE MOTOR SPEED CONTROL BOARD	E/M
	K-PL-7019118-0-DBP	BEZEL ASSY (PL)	M				
			M				
25	C-1A-7019783-0-DBU	BEZEL/LABEL ASSY	M				
	K-PL-7019783-0-DBP	BEZEL/LABEL ASSY (PL)	M				
	D-MD-7425242-0-DBU	BEZEL FRONT	M				
26	B-1A-7019041-0-DBU	CABLE ASSY BEZEL LED	E				
	K-PL-7019041-0-DBP	CABLE ASSY BEZEL LED (PL)	E				
27	B-DD-5415066-0	SEEK/INTERFACE BOARD	E/M				
28	D-AD-7019177-0-DBU	R/W PCB ASSY	E/M				
	K-PL-7019177-0-DBP	R/W PCB ASSY (PL)	E/M				

TYPE: E ELECTRICAL
M MECHANICAL
E/M ELECTRO/MECHANICAL



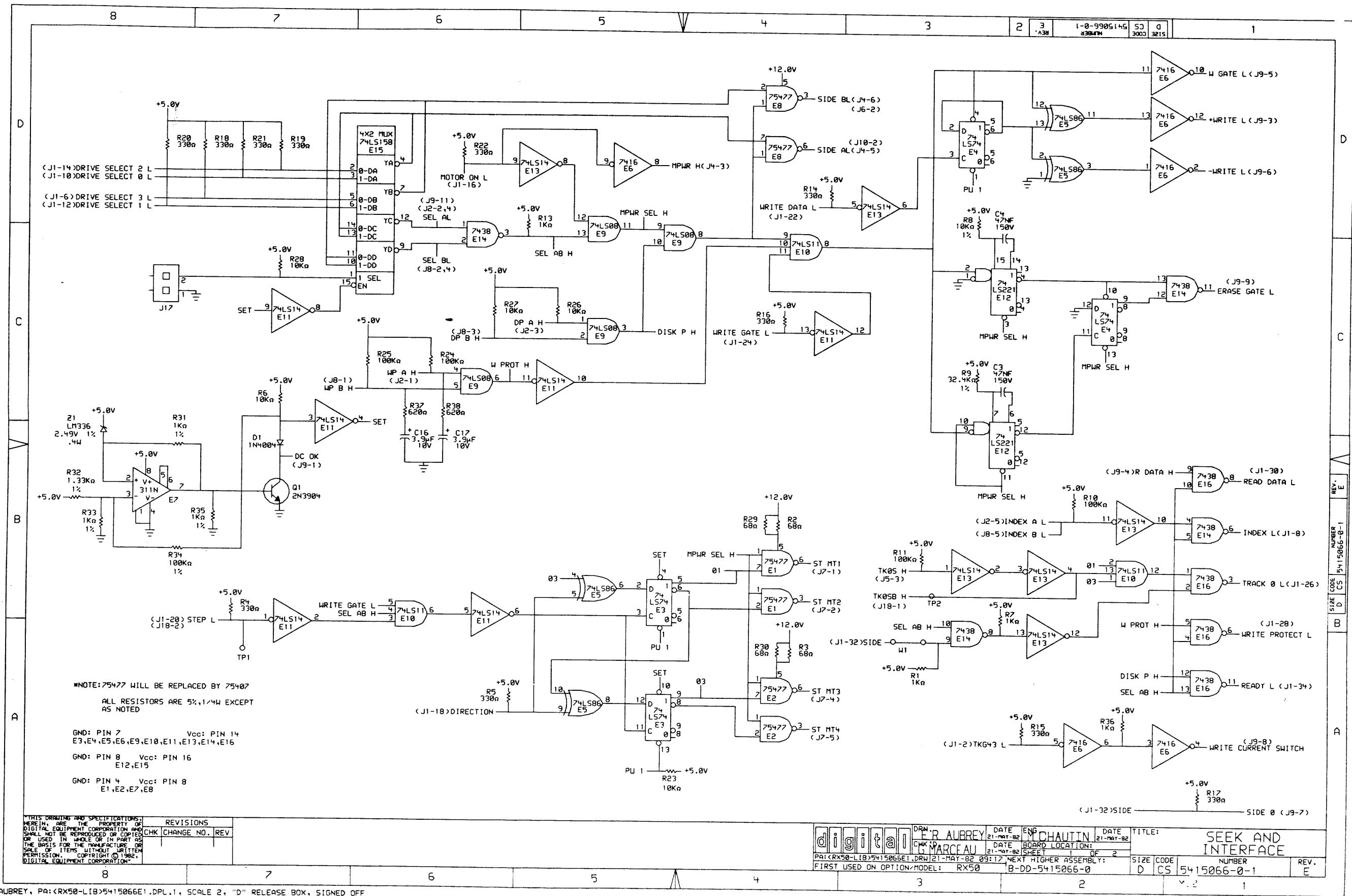
TITLE: RX50 DUAL FLOPPY DISK DRIVE

SHEET 6 OF 6

SIZE CODE
B DD

NUMBER
RX50-0

REV.
A



*NOTE: 75477 WILL BE REPLACED BY 75407
 ALL RESISTORS ARE 5%, 1/4W EXCEPT AS NOTED

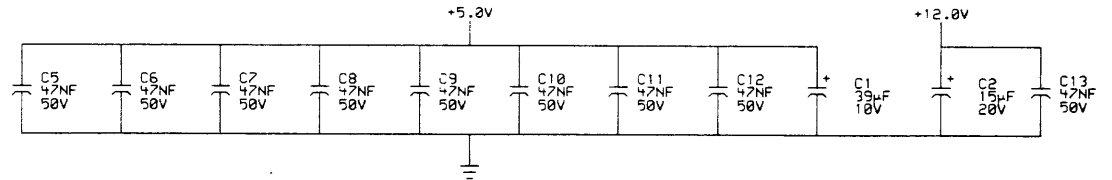
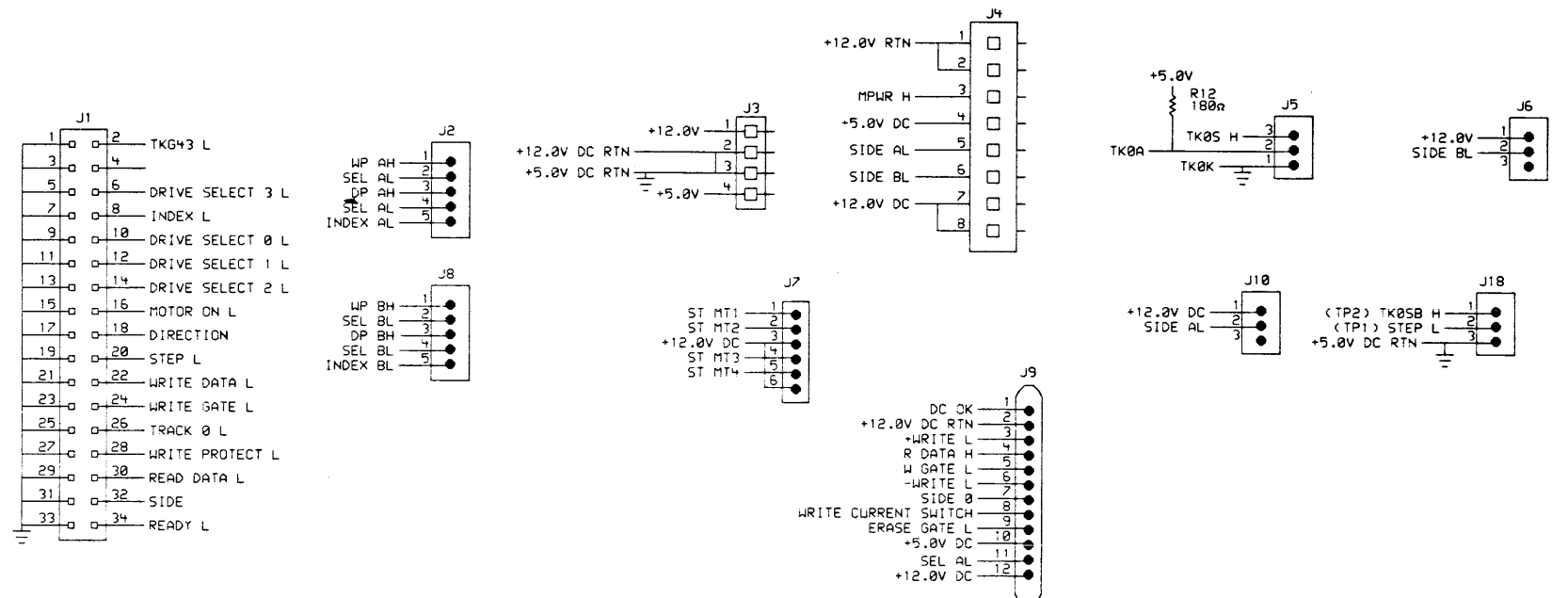
GND: PIN 7 Vcc: PIN 14
 E3, E4, E5, E6, E9, E10, E11, E13, E14, E16

GND: PIN 8 Vcc: PIN 16
 E12, E15

GND: PIN 4 Vcc: PIN 8
 E1, E2, E7, E8

REVISIONS	
CHK	CHANGE NO. REV

digital	DRW: ER AUBREY	DATE: 21-MAY-82	ENG: M CHAUTIN	DATE: 21-MAY-82	TITLE: SEEK AND INTERFACE
	CHK: S MARCEAU	DATE: 21-MAY-82	BOARD LOCATION: 1	OF 2	
FIRST USED ON OPTION/MODEL: RX50 B-DD-5415066-0					
SIZE	CODE	NUMBER	REV.		
D	CS	5415066-0-1	E		

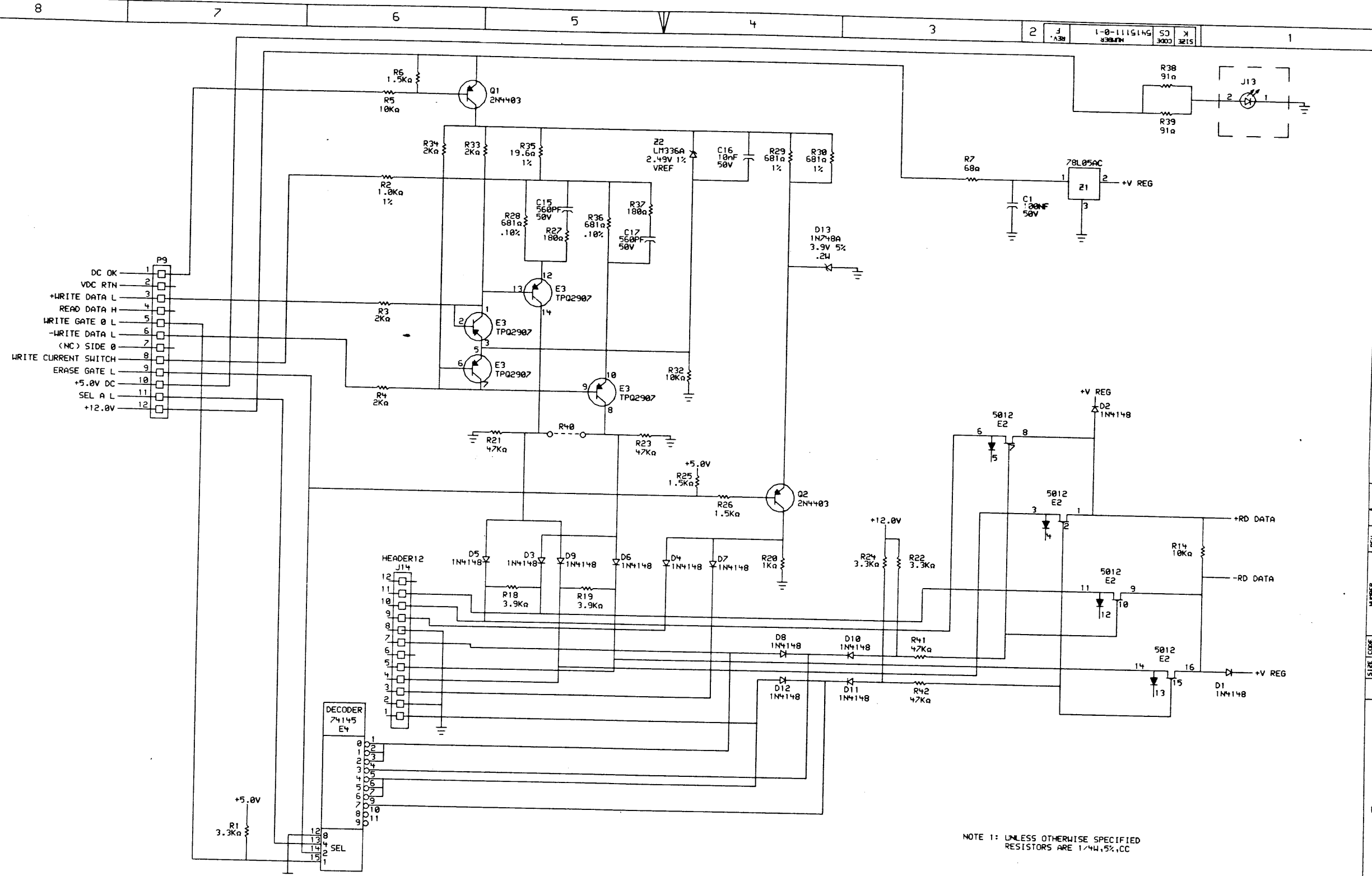


THIS DRAWING AND SPECIFICATIONS ARE THE PROPERTY OF DIGITAL EQUIPMENT CORPORATION AND SHALL NOT BE REPRODUCED OR COPIED OR USED IN WHOLE OR IN PART AS THE BASIS FOR THE MANUFACTURE OR SALE OF ITEMS WITHOUT WRITTEN PERMISSION. COPYRIGHT © 1982, DIGITAL EQUIPMENT CORPORATION.

REVISIONS	
CHK	CHANGE NO. REV

DRW. E. R. AUBREY DATE 21-MAY-82
 ENG. M. CHAUTIN DATE 21-MAY-82
 CHK. G. MARCEAU DATE 21-MAY-82
 BOARD LOCATION: 2 OF 2
 SHEET 2 OF 2
 FIRST USED ON OPTION/MODEL: RX50 B-DD-5415066-0

TITLE: SEEK AND INTERFACE
 SIZE CODE D CS
 NUMBER 5415066-0-1
 REV. E



NOTE 1: UNLESS OTHERWISE SPECIFIED
RESISTORS ARE 1/4W, 5%, CC

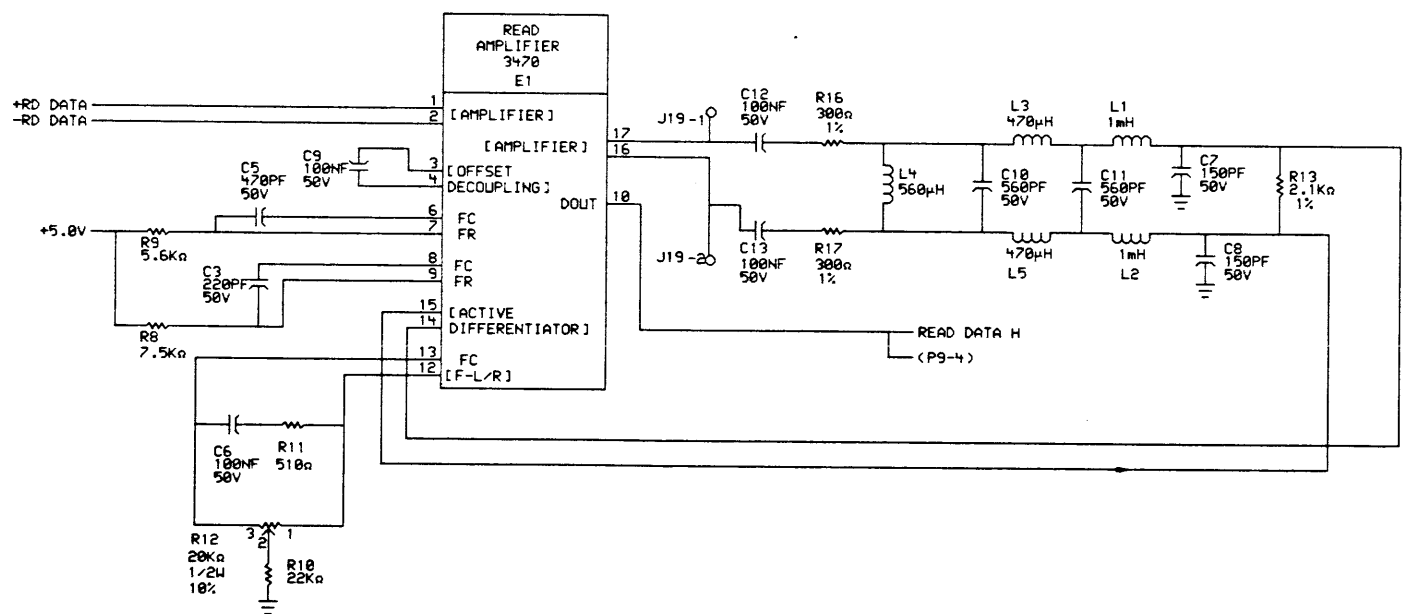
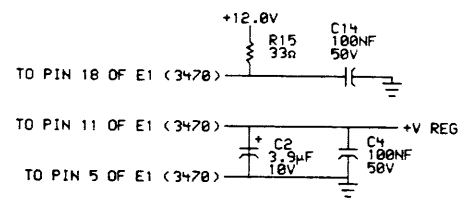
THIS DRAWING AND SPECIFICATIONS
HEREIN ARE THE PROPERTY OF
DIGITAL EQUIPMENT CORPORATION AND
SHALL NOT BE REPRODUCED OR COPIED
OR USED IN WHOLE OR IN PART AS
THE BASIS FOR THE MANUFACTURE OR
SALE OF ITEMS WITHOUT WRITTEN
PERMISSION. COPYRIGHT © 1982
DIGITAL EQUIPMENT CORPORATION

REVISIONS	
CHK	CHANGE NO. REV

DRW: E. R. AUBREY	DATE: 31-AUG-82	ENG: G. PAOLINI	DATE: 31-AUG-82	TITLE: RX50 READ/WRITE BD
CHK: J. BOSSMAN	DATE: 31-AUG-82	BOARD LOCATION: 2	DE: 2	SIZE CODE: K CS
PA: <RX50-LIB> 5415111F1.DRW	30-AUG-82 10:51	NEXT HIGHER ASSEMBLY: B-DD-5415111-0	NUMBER: 5415111-0-1	REV: F
FIRST USED ON OPTION/MODEL: RX50				

REV. F
NUMBER 5415111-0-1
SIZE CODE K CS

1-8-111511-0
 CS K 3000 3215



THIS DRAWING AND SPECIFICATIONS HEREIN ARE THE PROPERTY OF DIGITAL EQUIPMENT CORPORATION AND SHALL NOT BE REPRODUCED OR COPIED OR USED IN WHOLE OR IN PART AS THE BASIS FOR THE MANUFACTURE OR SALE OF ITEMS WITHOUT WRITTEN PERMISSION. COPYRIGHT © 1982, DIGITAL EQUIPMENT CORPORATION.

REVISIONS	
CHK	CHANGE NO. REV

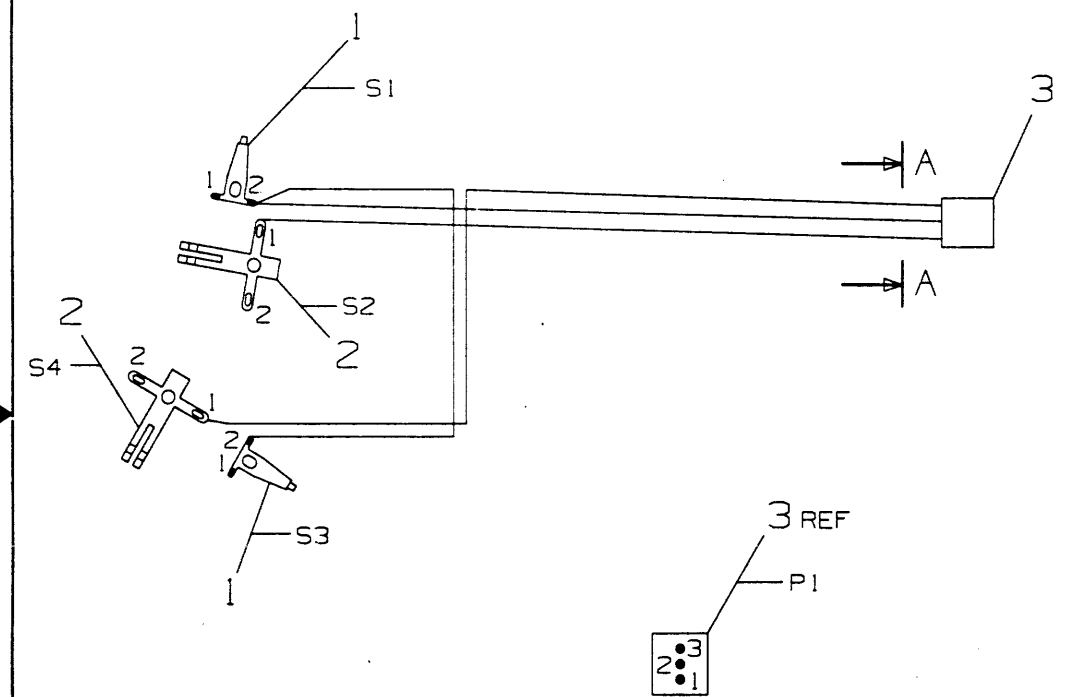
digit@	DRW: E. R. AUBREY	DATE: 31-AUG-82	ENG: G. PAQUIN	DATE: 31-AUG-82	TITLE: RX50 READ/WRITE BD
	CHK: P. BOSSMAN	DATE: 31-AUG-82	BOARD LOCATION:	SHEET: 2 OF 2	
PR: CRX50-LIB-5415111F2.DRW	30-AUG-82 10:58	NEXT HIGHER ASSEMBLY: B-DD-5415111-0	SIZE: K	CODE: CS	NUMBER: 5415111-0-1
FIRST USED ON OPTION/MODEL: RX50					REV: F

REV. F
 NUMBER 5415111-0-1
 SIZE CODE CS

"THIS DRAWING AND SPECIFICATIONS HEREIN ARE THE PROPERTY OF DIGITAL EQUIPMENT CORPORATION AND SHALL NOT BE REPRODUCED OR COPIED OR USED IN WHOLE OR IN PART AS THE BASIS FOR THE MANUFACTURE OR SALE OF ITEMS WITHOUT WRITTEN PERMISSION. COPYRIGHT © 1982 DIGITAL EQUIPMENT CORPORATION"

WIRE TABLE								
ITEM NO.	DESCRIPTION	AWG	COLOR	FROM		TO		PRECUT LENGTH
				CONN	WITH	CONN	WITH	
6	26	YEL	P1-1	---	S2-1	SLDR	7.38 ±.12	
5	26	GRN	P1-2	---	S1-2	SLDR	7.38 ±.12	
4	26	RED	P1-3	---	S4-1	SLDR	10.00 ±.12	
5	26	GRN	S1-2	SLDR	S3-2	SLDR	7.70 ±.12	

NOTES:



VIEW "A-A"

LEGEND		
PART NO.	REV	VARIATION
7018834-00	A1	AS SHOWN

LAYER 2 : FORMAT LAYER
 LAYER 1 : WORK LAYER
 PLOT AT : 1.00

CAUTION: OFF-SHEET PARTS LIST EXISTS
 SEE K-PL-7018834-0-DBP

FIRST HIGHER ASS'Y
 D-AD-7018932-0-DBU

DESCRIPTION	DRAWING NO.	PART NO.	ITEM NO.
UNLESS OTHERWISE SPECIFIED DIMENSIONS ARE IN INCHES AND THE FOLLOWING TOLERANCES APPLY (PER DEC STD 114)			
INCHES TOLERANCES .X: ±.1 .XX: ±.02 .XXX: ±.005	ANGLES ±0° 30'	APPLICABLE DIMENSION RANGE (CHECK ONE)	
		<input type="checkbox"/> OVER 0 TO 0.2 <input type="checkbox"/> OVER 0.2 TO 1.2 <input type="checkbox"/> OVER 1.2 TO 4.0 <input type="checkbox"/> OVER 4.0 TO 12.0 <input type="checkbox"/> OVER 12.0 TO 40.0 <input type="checkbox"/> OVER 40.0 TO 80.0	
SURFACE QUALITY <input checked="" type="checkbox"/> MICRONS		DIMENSION RANGE IN INCHES	
		±.004	±.008 ±.012 ±.016 ±.024 ±.04
THIRD ANGLE PROJECTION 		DRN A. PINKARD DATE 9 MAR 81	TITLE digital CABLE ASSY, WRITE/PROTECT
DO NOT SCALE DRAWING REMOVE BURRS AND BREAK SHARP CORNERS		CHK'D M. CARMAN DATE 12 MAR 82	DOCUMENT NUMBER C 1A 7018834-0-DBU SCALE NONE SHEET 1 OF 1
MATERIAL SEE PARTS LIST		DES. ENG. D. WARREN DATE 12 MAR 82	
FINISH ---		RESP. ENG. M. CARMAN DATE 12 MAR 82	
		MFG. ENG. G. AIKEY DATE 12 MAR 82	
		TOP DOC. C-1A-7018834-0-DBU	

REV.	CHANGE NO.	INITIAL
A		MC

REV. A
 NUMBER 7018834-0-DBU
 SIZE CODE C 1A

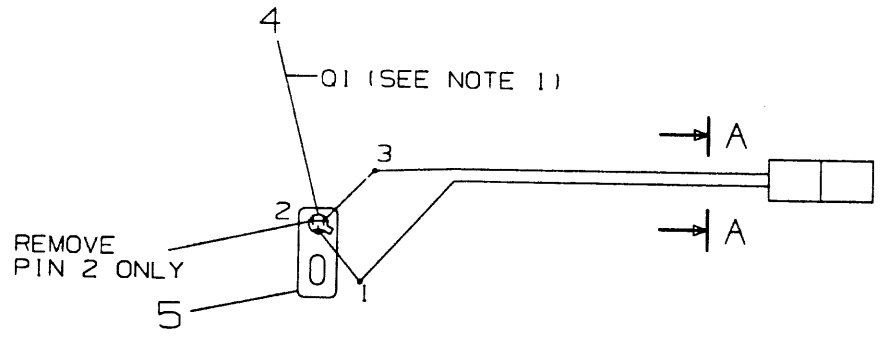
A

ML 1

THIS DRAWING AND SPECIFICATIONS, HEREIN, ARE THE PROPERTY OF DIGITAL EQUIPMENT CORPORATION AND SHALL NOT BE REPRODUCED OR COPIED OR USED IN WHOLE OR IN PART AS THE BASIS FOR THE MANUFACTURE OR SALE OF ITEMS WITHOUT WRITTEN PERMISSION.
 COPYRIGHT © 1982 DIGITAL EQUIPMENT CORPORATION

WIRE TABLE							
ITEM NO.	DESCRIPTION		FROM		TO		PRECUT LENGTH
	AWG	COLOR	CONN	WITH	CONN	WITH	
2	26	ORN	PI-1	---	01-1	SLDR	6.00 ±.12
3	26	BLU	PI-2	---	01-3	SLDR	6.00 ±.12

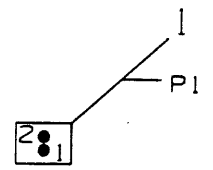
NOTES:
 1. ORIENT Q1 AS SHOWN.



LEGEND		
PART NO.	REV	VARIATION
7018835-00	A1	AS SHOWN

LAYER 2 : FORMAT LAYER
 LAYER 1 : WORK LAYER
 PLOT AT : 1.00

CAUTION: OFF-SHEET PARTS LIST EXISTS
 SEE K-PL-7018835-0-DBP



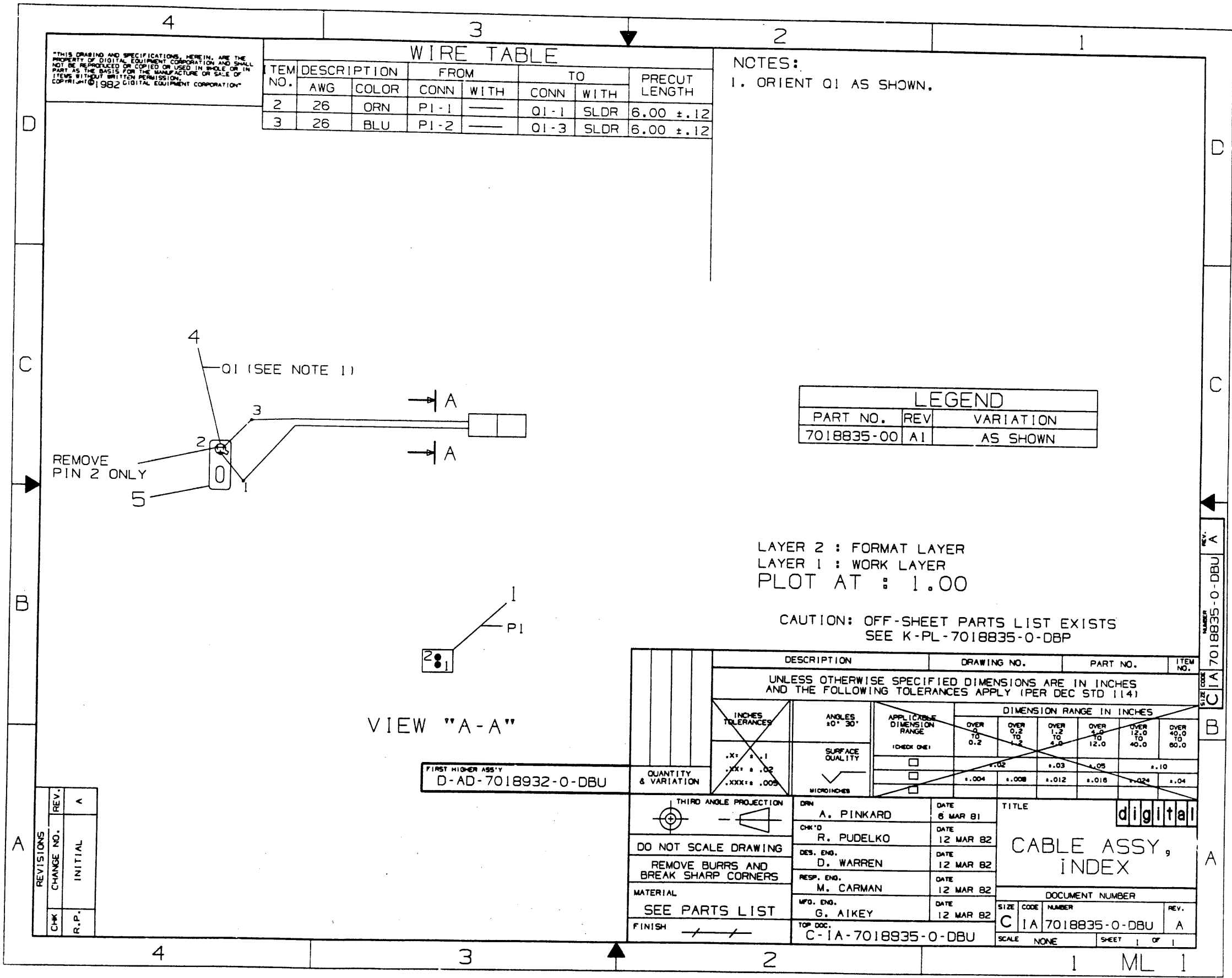
VIEW "A-A"

FIRST HIGHER ASS'Y
 D-AD-7018932-0-DBU

REVISIONS		REV.	A
CHK	CHANGE NO.	INITIAL	

DESCRIPTION	DRAWING NO.	PART NO.	ITEM NO.																								
UNLESS OTHERWISE SPECIFIED DIMENSIONS ARE IN INCHES AND THE FOLLOWING TOLERANCES APPLY (PER DEC STD 114)																											
INCHES TOLERANCES .X ± .1 .XX ± .02 .XXX ± .005	ANGLES ±0° 30'	APPLICABLE DIMENSION RANGE (CHECK ONE)																									
		DIMENSION RANGE IN INCHES																									
SURFACE QUALITY <input checked="" type="checkbox"/> MICROINCHES	<table border="1"> <tr> <th>OVER TO</th> <th>OVER TO</th> <th>OVER TO</th> <th>OVER TO</th> <th>OVER TO</th> <th>OVER TO</th> </tr> <tr> <td>0.2</td> <td>0.2 TO 1.2</td> <td>1.2 TO 4.0</td> <td>4.0 TO 12.0</td> <td>12.0 TO 40.0</td> <td>40.0 TO 80.0</td> </tr> <tr> <td><input type="checkbox"/></td> <td><input type="checkbox"/></td> <td><input type="checkbox"/></td> <td><input type="checkbox"/></td> <td><input type="checkbox"/></td> <td><input type="checkbox"/></td> </tr> <tr> <td><input type="checkbox"/></td> <td><input type="checkbox"/></td> <td><input type="checkbox"/></td> <td><input type="checkbox"/></td> <td><input type="checkbox"/></td> <td><input type="checkbox"/></td> </tr> </table>			OVER TO	OVER TO	OVER TO	OVER TO	OVER TO	OVER TO	0.2	0.2 TO 1.2	1.2 TO 4.0	4.0 TO 12.0	12.0 TO 40.0	40.0 TO 80.0	<input type="checkbox"/>	<input type="checkbox"/>	<input type="checkbox"/>	<input type="checkbox"/>	<input type="checkbox"/>	<input type="checkbox"/>	<input type="checkbox"/>	<input type="checkbox"/>	<input type="checkbox"/>	<input type="checkbox"/>	<input type="checkbox"/>	<input type="checkbox"/>
	OVER TO	OVER TO	OVER TO	OVER TO	OVER TO	OVER TO																					
0.2	0.2 TO 1.2	1.2 TO 4.0	4.0 TO 12.0	12.0 TO 40.0	40.0 TO 80.0																						
<input type="checkbox"/>	<input type="checkbox"/>	<input type="checkbox"/>	<input type="checkbox"/>	<input type="checkbox"/>	<input type="checkbox"/>																						
<input type="checkbox"/>	<input type="checkbox"/>	<input type="checkbox"/>	<input type="checkbox"/>	<input type="checkbox"/>	<input type="checkbox"/>																						
THIRD ANGLE PROJECTION	DRN A. PINKARD DATE 6 MAR 81	TITLE digital																									
DO NOT SCALE DRAWING	CHK'D R. PUDELKO DATE 12 MAR 82	CABLE ASSY, INDEX																									
REMOVE BURRS AND BREAK SHARP CORNERS	DES. ENG. D. WARREN DATE 12 MAR 82	DOCUMENT NUMBER																									
MATERIAL	RESP. ENG. M. CARMAN DATE 12 MAR 82	SCALE NONE SHEET 1 OF 1																									
SEE PARTS LIST	MFG. ENG. G. AIKEY DATE 12 MAR 82	SIZE CODE NUMBER C IA 7018835-0-DBU																									
FINISH	TOP DOC. C-IA-7018935-0-DBU	REV. A																									

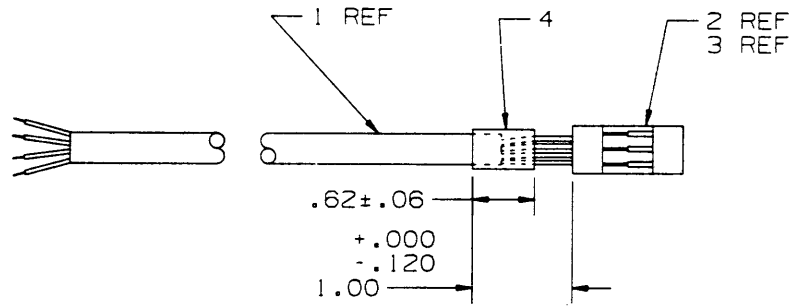
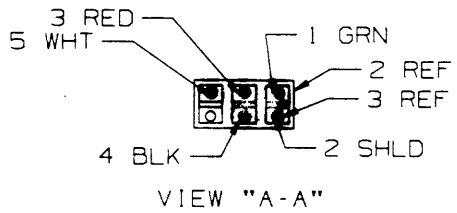
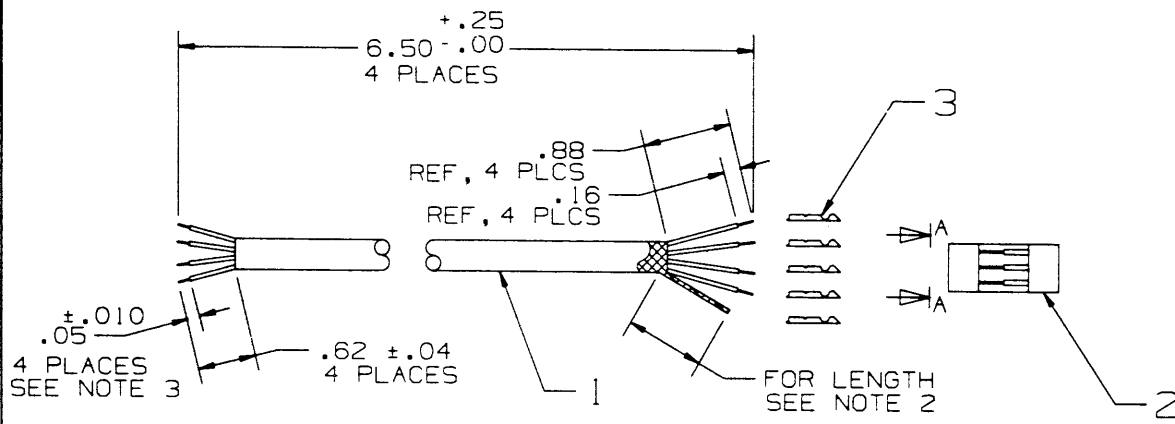
NUMBER 7018835-0-DBU
 REV. A
 SIZE CODE C IA



THIS DRAWING AND SPECIFICATIONS, HEREIN, ARE THE PROPERTY OF DIGITAL EQUIPMENT CORPORATION AND SHALL NOT BE REPRODUCED OR COPIED OR USED IN WHOLE OR IN PART AS THE BASIS FOR THE MANUFACTURE OR SALE OF ITEMS WITHOUT WRITTEN PERMISSION. COPYRIGHT © 1982 DIGITAL EQUIPMENT CORPORATION

LEGEND		
PART NO.	REV	VARIATION
7018418-00	A2	AS SHOWN

- NOTES:
1. CLEAR PLASTIC SHEATH OF ITEM 1 SHALL BE RECESSED A MAXIMUM OF .12 FROM BREAKOUT POINT.
 2. SHIELD IS USED AS STRAIN RELIEF. WHEN CRIMP SOCKETS (ITEM 3) ARE INSERTED INTO CONNECTOR (ITEM 2), ALL WIRES EXCEPT SHIELD SHALL BE SLACK.
 3. CONDUCTORS TO BE TWISTED AND TINNED FOR A LENGTH OF .03 MIN. .03 WILL BE MEASURED FROM END OF CONDUCTOR.



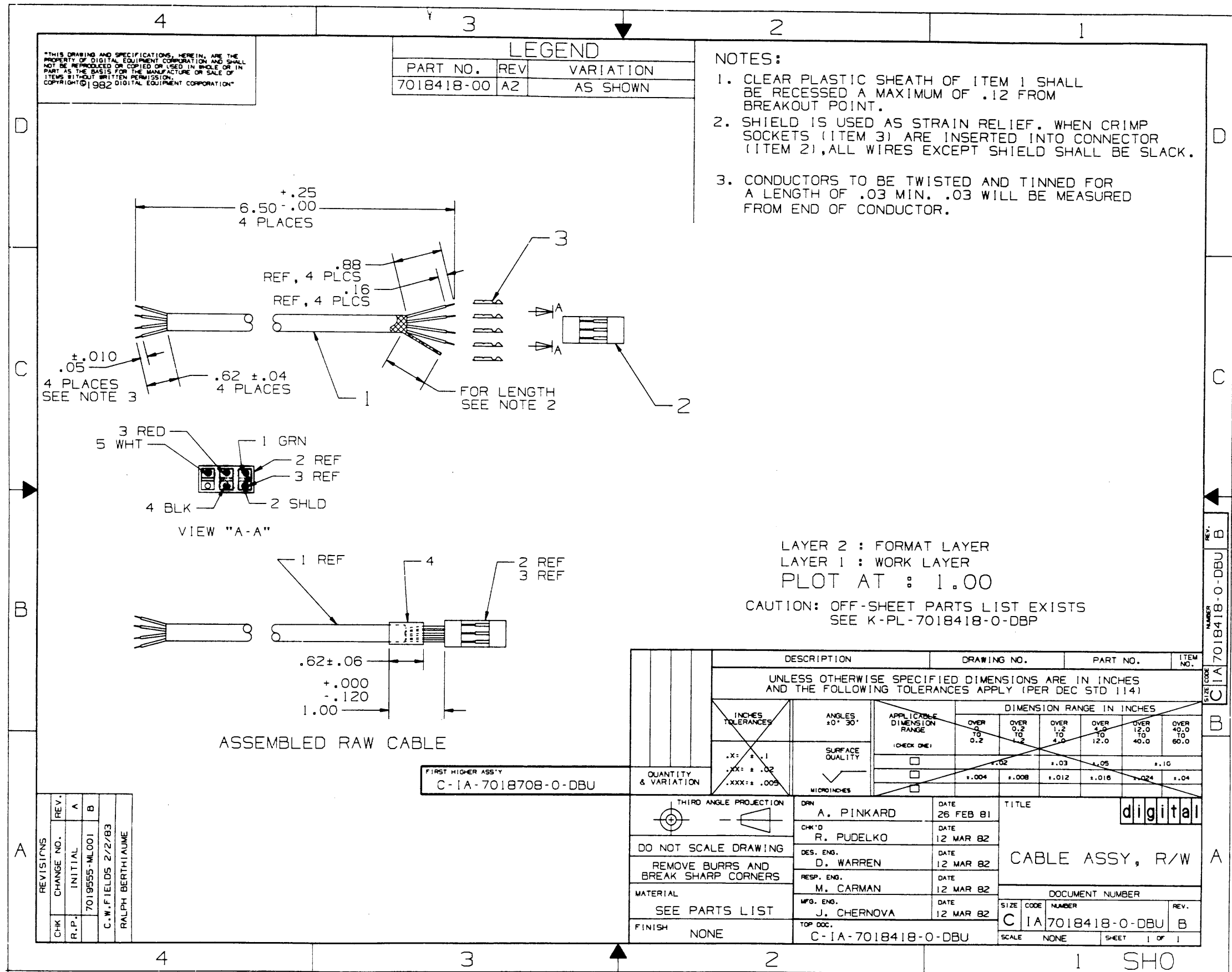
LAYER 2 : FORMAT LAYER
 LAYER 1 : WORK LAYER
 PLOT AT : 1.00
 CAUTION: OFF-SHEET PARTS LIST EXISTS
 SEE K-PL-7018418-0-DBP

REVISIONS	
CHANGE NO.	REV.
	A
	B
7019555-ML001	
C.W.FIELDS 2/2/83	
RALPH BERTHAUME	

FIRST HIGHER ASSY
 C-1A-7018708-0-DBU

DESCRIPTION	DRAWING NO.	PART NO.	ITEM NO.																		
UNLESS OTHERWISE SPECIFIED DIMENSIONS ARE IN INCHES AND THE FOLLOWING TOLERANCES APPLY (PER DEC STD 114)																					
INCHES TOLERANCES .X: ± .1 .XX: ± .02 .XXX: ± .005	ANGLES ± 0° 30'	APPLICABLE DIMENSION RANGE (CHECK ONE)																			
		DIMENSION RANGE IN INCHES																			
SURFACE QUALITY <input checked="" type="checkbox"/> MICROINCHES	<table border="1"> <thead> <tr> <th>OVER 0 TO 0.2</th> <th>OVER 0.2 TO 1.2</th> <th>OVER 1.2 TO 4.0</th> <th>OVER 4.0 TO 12.0</th> <th>OVER 12.0 TO 40.0</th> <th>OVER 40.0 TO 60.0</th> </tr> </thead> <tbody> <tr> <td>±.02</td> <td>±.03</td> <td>±.05</td> <td>±.10</td> <td></td> <td></td> </tr> <tr> <td><input type="checkbox"/></td> <td>±.004</td> <td>±.008</td> <td>±.012</td> <td>±.016</td> <td>±.024</td> </tr> </tbody> </table>			OVER 0 TO 0.2	OVER 0.2 TO 1.2	OVER 1.2 TO 4.0	OVER 4.0 TO 12.0	OVER 12.0 TO 40.0	OVER 40.0 TO 60.0	±.02	±.03	±.05	±.10			<input type="checkbox"/>	±.004	±.008	±.012	±.016	±.024
	OVER 0 TO 0.2	OVER 0.2 TO 1.2	OVER 1.2 TO 4.0	OVER 4.0 TO 12.0	OVER 12.0 TO 40.0	OVER 40.0 TO 60.0															
±.02	±.03	±.05	±.10																		
<input type="checkbox"/>	±.004	±.008	±.012	±.016	±.024																
THIRD ANGLE PROJECTION 	DRN A. PINKARD	DATE 26 FEB 81	TITLE digital																		
DO NOT SCALE DRAWING	CHK'D R. PUDELKO	DATE 12 MAR 82	CABLE ASSY, R/W																		
REMOVE BURRS AND BREAK SHARP CORNERS	DES. ENG. D. WARREN	DATE 12 MAR 82																			
MATERIAL SEE PARTS LIST	RESP. ENG. M. CARMAN	DATE 12 MAR 82	DOCUMENT NUMBER																		
FINISH NONE	MFG. ENG. J. CHERNOVA	DATE 12 MAR 82	<table border="1"> <thead> <tr> <th>SIZE</th> <th>CODE</th> <th>NUMBER</th> <th>REV.</th> </tr> </thead> <tbody> <tr> <td>C</td> <td>IA</td> <td>7018418-0-DBU</td> <td>B</td> </tr> </tbody> </table>	SIZE	CODE	NUMBER	REV.	C	IA	7018418-0-DBU	B										
SIZE	CODE	NUMBER	REV.																		
C	IA	7018418-0-DBU	B																		
TOP DOC. C-1A-7018418-0-DBU			SCALE NONE SHEET 1 OF 1																		

REV. B
 NUMBER 7018418-0-DBU
 SIZE CODE C



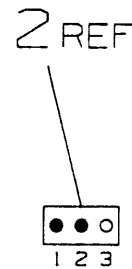
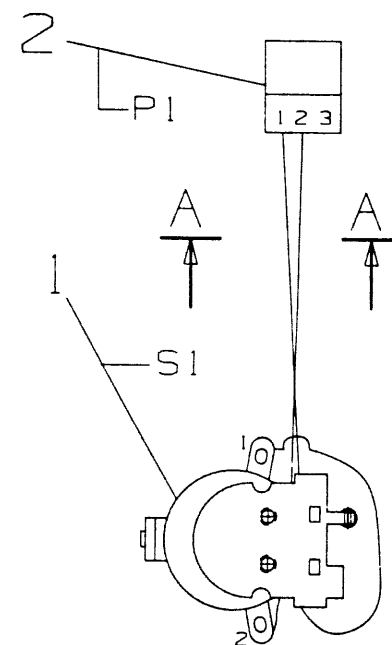
"THIS DRAWING AND SPECIFICATIONS, HEREIN, ARE THE PROPERTY OF DIGITAL EQUIPMENT CORPORATION AND SHALL NOT BE REPRODUCED OR COPIED OR USED IN WHOLE OR IN PART AS THE BASIS FOR THE MANUFACTURE OR SALE OF ITEMS WITHOUT WRITTEN PERMISSION.
 COPYRIGHT © 1982 DIGITAL EQUIPMENT CORPORATION"

WIRE TABLE

ITEM NO.	DESCRIPTION		FROM		TO		REMARKS (PRECUT LENGTH)
	AWG	COLOR	CONN	WITH	CONN	WITH	
3	26	BLU	P1-2	—	S1-2	SLDR	4.00 ±.12
4	26	YEL	P1-1	—	S1-1	SLDR	5.00 ±.12

NOTES:

- ROUTE BLUE WIRE BETWEEN FRAME & COIL HSG.
- ROUTE YELLOW WIRE AROUND BACK OF FRAME THEN BETWEEN FRAME & COIL HSG.



VIEW "A-A"

LEGEND		
PART NO.	REV	VARIATION
7018933-00	A1	AS SHOWN

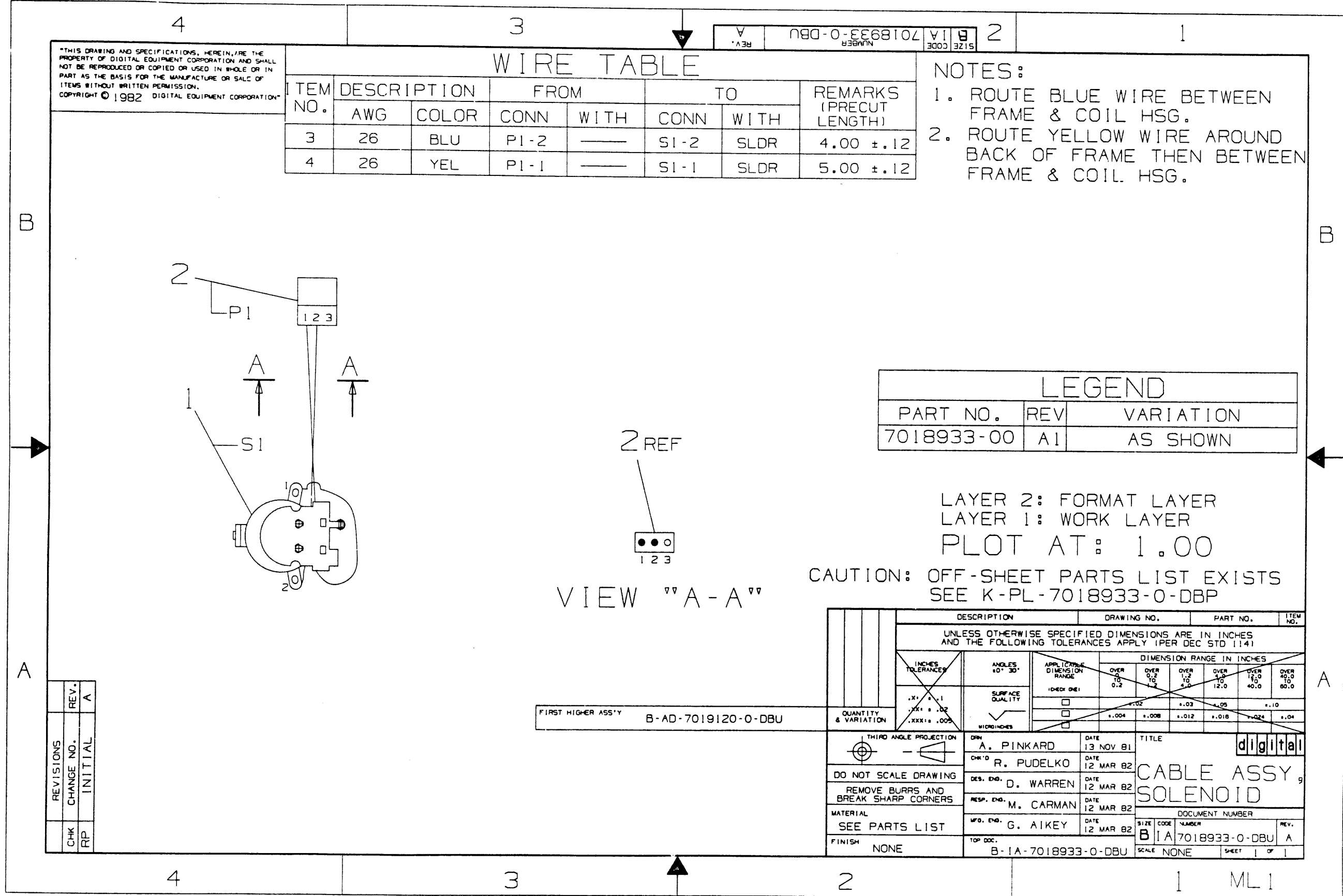
LAYER 2: FORMAT LAYER
 LAYER 1: WORK LAYER
 PLOT AT: 1.00

CAUTION: OFF-SHEET PARTS LIST EXISTS
 SEE K-PL-7018933-0-DBP

REVISIONS	CHANGE NO.	REV.	INITIAL
		A	

FIRST HIGHER ASSY B-AD-7019120-0-DBU

DESCRIPTION	DRAWING NO.	PART NO.	ITEM NO.															
UNLESS OTHERWISE SPECIFIED DIMENSIONS ARE IN INCHES AND THE FOLLOWING TOLERANCES APPLY (PER DEC STD 114)																		
INCHES TOLERANCES .X ± .01 .XX ± .02 .XXX ± .005	ANGLES ±0° 30'	APPLICABLE DIMENSION RANGE <input type="checkbox"/> (CHECK ONE) <input type="checkbox"/> SURFACE QUALITY <input checked="" type="checkbox"/> MICROINCHES	DIMENSION RANGE IN INCHES															
			<table border="1"> <tr> <th>OVER TO</th> <th>OVER TO</th> <th>OVER TO</th> <th>OVER TO</th> <th>OVER TO</th> <th>OVER TO</th> </tr> <tr> <td>0.2</td> <td>1.2</td> <td>1.2</td> <td>4.0</td> <td>12.0</td> <td>40.0</td> </tr> <tr> <td>±.02</td> <td>±.03</td> <td>±.05</td> <td>±.10</td> <td>±.12</td> <td>±.15</td> </tr> </table>	OVER TO	OVER TO	OVER TO	OVER TO	OVER TO	OVER TO	0.2	1.2	1.2	4.0	12.0	40.0	±.02	±.03	±.05
OVER TO	OVER TO	OVER TO	OVER TO	OVER TO	OVER TO													
0.2	1.2	1.2	4.0	12.0	40.0													
±.02	±.03	±.05	±.10	±.12	±.15													
QUANTITY & VARIATION	THIRD ANGLE PROJECTION	DRW. A. PINKARD	DATE 13 NOV 81															
DO NOT SCALE DRAWING	REMOVE BURRS AND BREAK SHARP CORNERS	CHK'D R. PUDELKO	DATE 12 MAR 82															
MATERIAL SEE PARTS LIST	FINISH NONE	DES. ENG. D. WARREN	DATE 12 MAR 82															
		RESP. ENG. M. CARMAN	DATE 12 MAR 82															
		WFO. ENG. G. AIKEY	DATE 12 MAR 82															
		TOP DOC. B-1A-7018933-0-DBU	SCALE NONE															
		TITLE: CABLE ASSY SOLENOID																
		DOCUMENT NUMBER: B IA 7018933-0-DBU																
		SIZE CODE NUMBER	REV. A															
		SHEET 1 OF 1																

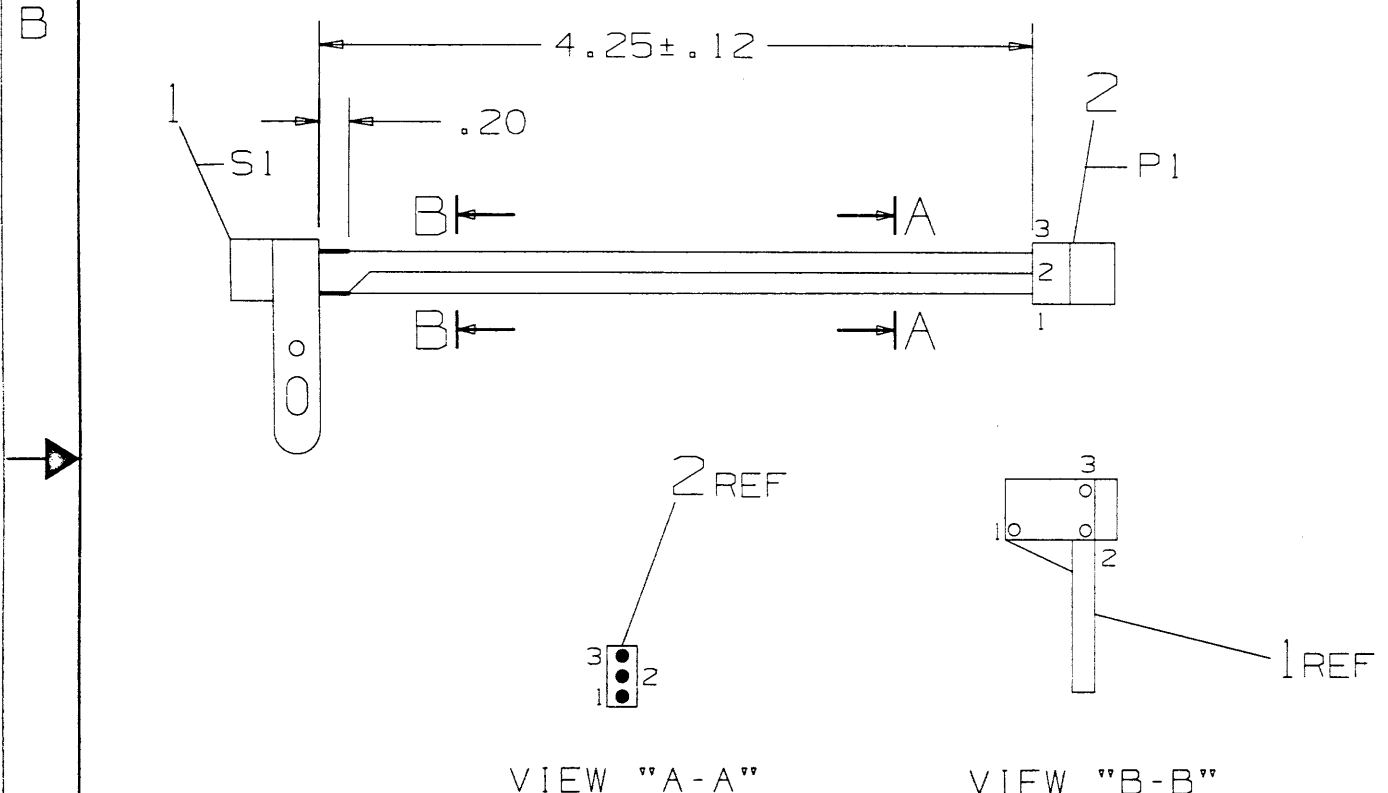


"THIS DRAWING AND SPECIFICATIONS, HEREIN, ARE THE PROPERTY OF DIGITAL EQUIPMENT CORPORATION AND SHALL NOT BE REPRODUCED OR COPIED OR USED IN WHOLE OR IN PART AS THE BASIS FOR THE MANUFACTURE OR SALE OF ITEMS WITHOUT WRITTEN PERMISSION.
 COPYRIGHT © 1982 DIGITAL EQUIPMENT CORPORATION"

WIRE TABLE

ITEM NO.	DESCRIPTION		FROM		TO		REMARKS (PRECUT LENGTH)
	AWG	COLOR	CONN	WITH	CONN	WITH	
3	26	YEL	P1-3	---	S1-3	SLDR	4.25 ± .12
4	26	RED	P1-2	---	S1-1	SLDR	4.25 ± .12
5	26	BLU	P1-1	---	S1-2	SLDR	4.25 ± .12

NOTES:



LEGEND		
PART NO.	REV	VARIATION
7018931-00	A1	AS SHOWN

LAYER 2: FORMAT LAYER
 LAYER 1: WORK LAYER
 PLOT AT : 1.00

CAUTION: OFF-SHEET PARTS LIST EXISTS
 SEE K-PL-7018931-0-DBP

REVISIONS	REV.	INITIAL
	A	

FIRST HIGHER ASS'Y E-UA-RX50-0-DBU

DESCRIPTION	DRAWING NO.	PART NO.	ITEM NO.
UNLESS OTHERWISE SPECIFIED DIMENSIONS ARE IN INCHES AND THE FOLLOWING TOLERANCES APPLY (PER DEC STD 114)			
INCHES TOLERANCES .X: ± .1 .XX: ± .02 .XXX: ± .005	ANGLES ± 30° SURFACE QUALITY <input type="checkbox"/> MICRO-INCHES	APPLICABLE DIMENSION RANGE	
		<input type="checkbox"/> (CHECK ONE) DIMENSION RANGE IN INCHES OVER 0.2 TO 0.2 OVER 0.2 TO 1.2 OVER 1.2 TO 4.0 OVER 4.0 TO 12.0 OVER 12.0 TO 40.0 OVER 40.0 TO 80.0 ±.02 ±.03 ±.05 ±.10	
QUANTITY & VARIATION	THIRD ANGLE PROJECTION 	DATE 12 NOV 81 12 MAR 82 12 MAR 82 12 MAR 82 12 MAR 82	TITLE digital CABLE ASSY, TRACK 0 SENSOR DOCUMENT NUMBER B 1A 7018931-0-DBU SCALE NONE SHEET 1 OF 1
FINISH NONE	DO NOT SCALE DRAWING REMOVE BURRS AND BREAK SHARP CORNERS MATERIAL SEE PARTS LIST	DRN. A. PINKARD CHK'D R. PUDELKO DES. ENG. D. WARREN RESP. ENG. M. CARMAN MFG. ENG. G. AIKEY TOP DOC. B-1A-7018931-0-DBU	REV. A

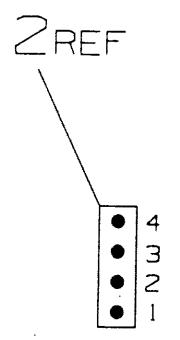
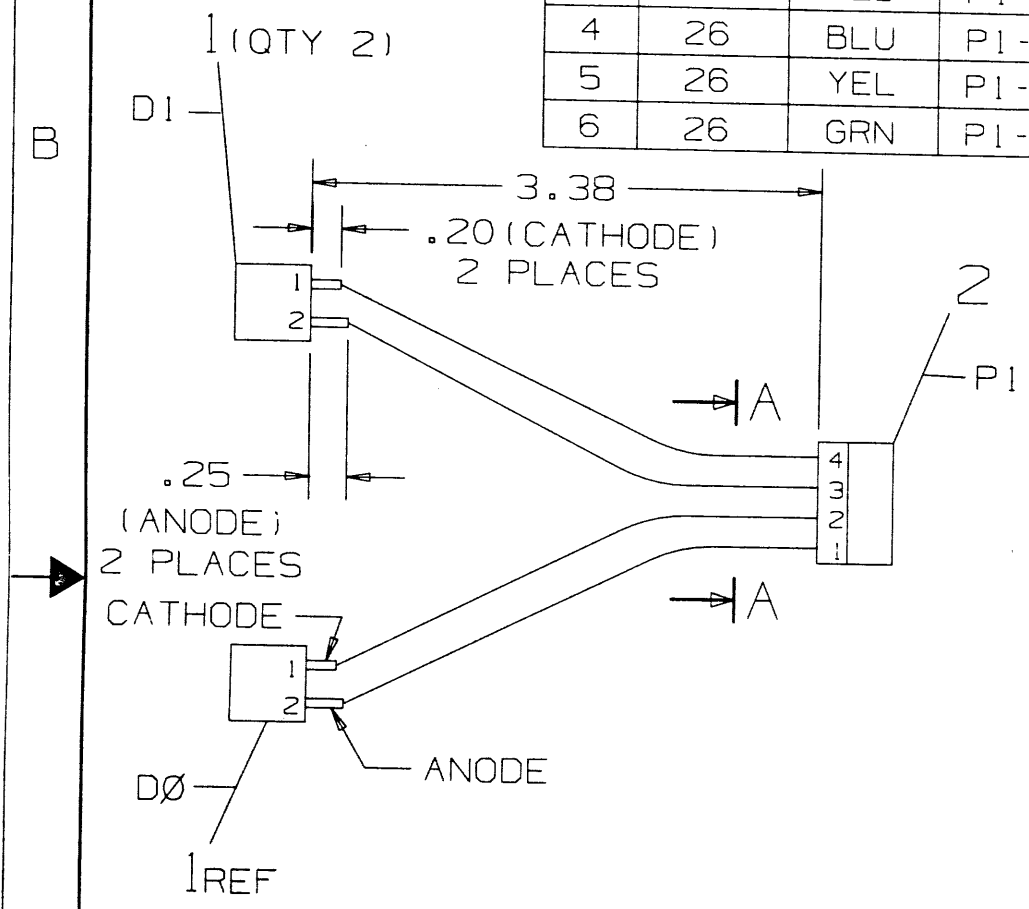
*THIS DRAWING AND SPECIFICATIONS, HEREIN, ARE THE PROPERTY OF DIGITAL EQUIPMENT CORPORATION AND SHALL NOT BE REPRODUCED OR COPIED OR USED IN WHOLE OR IN PART AS THE BASIS FOR THE MANUFACTURE OR SALE OF ITEMS WITHOUT WRITTEN PERMISSION.
 COPYRIGHT © 1982 DIGITAL EQUIPMENT CORPORATION*

REV. A
 NUMBER 7019041-0-DBU
 SIZE CODE B
 2

WIRE TABLE

ITEM NO.	DESCRIPTION		FROM		TO		REMARKS (PRECUT LENGTH)
	AWG	COLOR	CONN	WITH	CONN	WITH	
3	26	RED	PI-2	---	DØ-1	SLDR	3.50 ±.12
4	26	BLU	PI-1	---	DØ-2	SLDR	3.50 ±.12
5	26	YEL	PI-4	---	D1-1	SLDR	3.50 ±.12
6	26	GRN	PI-3	---	D1-2	SLDR	3.50 ±.12

NOTES:
 1. BEFORE SOLDERING, ADD ITEM 7 (SHRINK TUBING) 4 PLACES.



VIEW "A-A"

LEGEND		
PART NO.	REV	VARIATION
7019041-00	A1	AS SHOWN

LAYER 2: FORMAT LAYER
 LAYER 1: WORK LAYER
 PLOT AT: 1.00

CAUTION: OFF-SHEET PARTS LIST EXISTS
 SEE K-PL-7019041-0-DBP

REV. A	REV.	CHG. NO.	REVISIONS

FIRST HIGHER ASSY B-1A-7019118-0-DBU

DESCRIPTION	DRAWING NO.	PART NO.	ITEM NO.
UNLESS OTHERWISE SPECIFIED DIMENSIONS ARE IN INCHES AND THE FOLLOWING TOLERANCES APPLY (PER DEC STD 114)			
INCHES TOLERANCES .X ± .1 .XX ± .02 .XXX ± .005	ANGLES 10°-30° SURFACE QUALITY <input checked="" type="checkbox"/> MICROFINISH	APPLICABLE DIMENSION RANGE	
		DIMENSION RANGE IN INCHES	
		OVER 0.2 TO 0.2	OVER 0.2 TO 1.2
		OVER 1.2 TO 4.0	OVER 4.0 TO 12.0
		OVER 12.0 TO 40.0	OVER 40.0 TO 80.0
		±.02	±.03
		±.04	±.05
		±.08	±.10
		±.12	±.15
		±.18	±.24
		±.04	±.04
THIRD ANGLE PROJECTION <input checked="" type="checkbox"/>	DRN A. PINKARD DATE 13 NOV 81	TITLE digital	
DO NOT SCALE DRAWING	CHK'D P. PUDELKO DATE 12 MAR 82	CABLE ASSY BEZEL LED	
REMOVE BURRS AND BREAK SHARP CORNERS	DES. ENG. D. WARREN DATE 12 MAR 82	DOCUMENT NUMBER	
MATERIAL SEE PARTS LIST	RESP. ENG. M. CARMAN DATE 12 MAR 82	B 1A 7019041-0-DBU A	
FINISH NONE	WFO. ENG. G. AIKEY DATE 12 MAR 82	SCALE NONE SHEET 1 OF 1	
	TOP DOC. B-1A-7019041-0-DBU		